

ISALT
GROUP

AXION

EQUIPEMENTS MARAICHERS

AMDS



MARKET GARDENING EQUIPMENT

ISALT
GROUP

AXION

EQUIPEMENTS MARAICHERS

AMDS



BUSINESSES

AXION and AMDS have joined forces to expand their geographical scope and pool their expertise.

AXION, a brand of the Isalt group, and AMDS have been recognized for over 15 years for their expertise and the quality of their services.

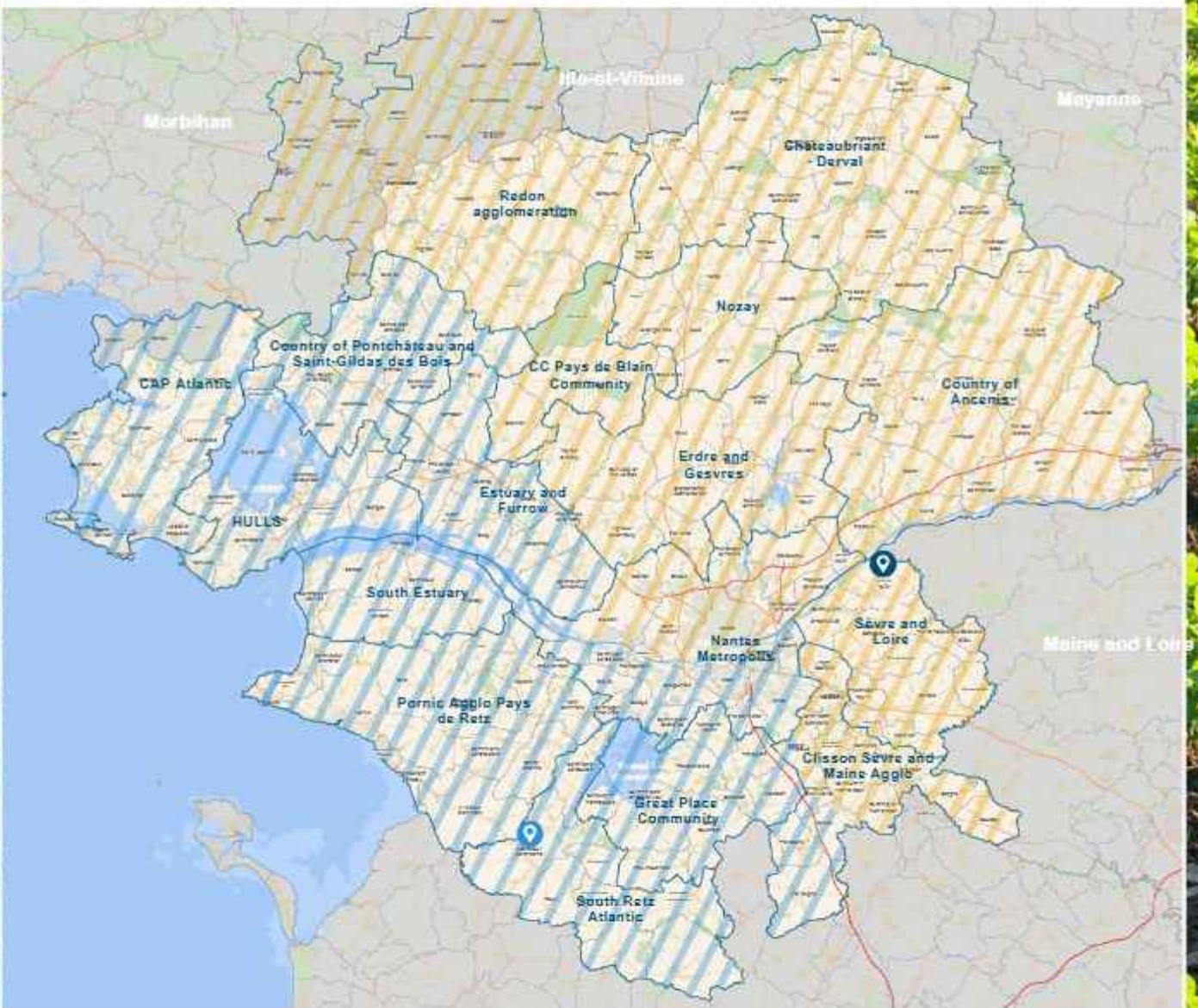
Whatever your project, AXION and AMDS support you, identify all your needs and offer you a solution, from maintenance to new equipment, in range or custom-made.

AXION based in Machecoul and AMDS in La Chapelle Basse Mer, have customer satisfaction as their primary objective. This is achieved through the quality of services and products, proximity and, without forgetting, constant innovation to respond to a constantly evolving field.



DISTRIBUTION OF SECTORS


A commercial sector is defined for each company. Initially at the level of the Loire-Atlantique department and then, in a second phase, on French territory.





1, Z.A. OF CAILLETTELLE,
44270 MACHECOUL-SAINT-MÈME

CYRIL THABARD
+33(0)6 75 12 47 04
cyril.thabard@cdoinnov.fr



AMDS

215, DIVATTE LIFTING THE
LOW SEA CHAPEL
44450 DIVATTE ON LOIRE

ALAIN CHARRIAU
+33(0)7 82 27 34 04
alain@amds44.fr



CONTACTS





SERVICE COMMERCIAL

CYRIL THABARD
PRESIDENT AND COMMERCIAL DIRECTOR

 cyril.thabard@cdoinnov.fr
 +33(0)6 75 12 47 04

CHARLINE THABARD
SERVICE COMMERCIAL

 charline.thabard@isaltgroup.fr
 +33(0)6 78 41 14 57

ALAIN SACHOT
COMMERCIAL AXION MANUTENTION

 alain.sachot@axion-machecoul.fr
 +33(0)6 36 11 62 55



WELCOME

ADMINISTRATIVE / ACCOUNTING

 accueil@isaltgroup.fr
 +33(0)2 51 70 87 48



DESIGN OFFICE

OLIVIER ROUSSEAU
BE MANAGER / PURCHASING DEPARTMENT

 olivier.rousseau@cdoinnov.fr
 +33(0)6 26 05 33 44

WORKSHOP AND REPAIR SERVICE

DAVID ORDUREAU
PRODUCTION / MAINTENANCE MANAGER

 david.ordureau@cdoinnov.fr
 +33(0)6 07 21 97 54

GAËTAN FILATER
WORKSHOP MANAGER

 gaetan.filatre@cdoinnov.fr
 +33(0)6 13 17 05 72

SPARE PARTS STORE

MICHAEL LUSSON
WAREHOUSE KEEPER

 magasin@isaltgroup.fr
 +33(0)2 28 96 59 46



MONDAY TO THURSDAY: 8 A.M. TO 12:30 P.M. / 1:30 P.M. TO 5 P.M.
AND FRIDAY: 8 A.M. TO 12:30 P.M. / 1:30 P.M. TO 4 P.M.



CONTACTS

AMDS

SERVICE COMMERCIAL

DIDIER RONDEAU
PRESIDENT AND COMMERCIAL DIRECTOR

 didier@amds44.fr
 06 85 03 94 66

ALAIN CHARRIAU
COMMERCIAL

 alain@amds44.fr
 07 82 27 34 04

WELCOME

ADMINISTRATIVE / ACCOUNTING

 compta@amds44.fr
 02 28 02 14 30

DESIGN OFFICE

ELIE LECOINTE
BE MANAGER / PURCHASING DEPARTMENT


 etude@amds44.fr
 02 28 02 14 30

WORKSHOP AND REPAIR SERVICE

EMMANUEL FOR SURE
WELDING / MANUFACTURING / ASSEMBLY

 manu@amds44.fr
 06 37 22 88 68

VINCENT BLANCHARD
PRODUCTION / MAINTENANCE MANAGER

 vincent@amds44.fr
 06 65 54 48 01

JORDAN HAND
MAINTENANCE MANAGER

 jordan@amds44.fr
 06 52 34 04 20

SPARE PARTS STORE

SYLVIA RONDEAU / JEAN-PIERRE LAMIOT
WAREHOUSE OWNERS

 magasin@amds44.fr
 +33(0)2 28 02 14 30



MONDAY TO THURSDAY: 8 A.M. TO 12:15 P.M. / 1:30 P.M. TO 5:15 P.M.
AND FRIDAY: 8 A.M. TO 12:15 P.M. / 1:30 P.M. TO 4:15 P.M.

MORE THAN 15 YEARS OF EXPERTISE

MAINTENANCE / TROUBLESHOOTING / SERVICE

- ✂ • Troubleshooting and repair of all brands General mechanics, electrical and hydraulics Metalwork and boilermaking workshop Experienced technicians

IN WORKSHOP OR ON SITE



Our technicians carry out their work using a vehicle fitted out and equipped with the necessary equipment.

DESIGN OF SPECIAL MACHINES

Based on your specifications, we are able to offer you reliable, proven technical solutions, while respecting cost control and your requirements.

- ➔ Feasibility study: search for technical solutions
- ➔ Preliminary design study: choosing the best concept for developing a 3D preliminary design sketch
- ➔ Development phase: allowing solutions to be precisely defined with 3D modeling 2D drawing and functional dimensions: assembly drawings, detailed drawings in SolidWorks
- ➔ Manufacturing and assembly: produced in our workshops by an experienced team
- ➔ On-site commissioning and debugging tests
- ➔ Technical writing
- ➔

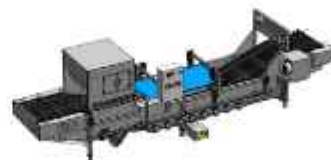
OVERVIEW OF OUR ACHIEVEMENTS



CATERPILLAR FOR HARVESTING LEEKS



EDS



MULTI-VEGETABLE IMMERSION WASHER



VIBRA TRIPLE PLANCH

SUMMARY

AXION ET AMDS RANGE.....	13
COMPOST SPREADER	14
TRIPLE BOARD MARKER.....	15
NANTES TUNNEL OPENER.....	15
BOARD DISK.....	16
DEC' A PLANCHE 3-5-9 TEETH.....	17
NON-STOP BOARD DECOMPRESSOR.....	18
FRONT BOARD DECOMPACTOR.....	19
PRE-SEEDING SUBSOILER.....	20
FRONT SANDBLASTER.....	21
REAR SANDBLASTER.....	22
DRIP UNROLLER.....	23
CULTIV' A PLANCHE.....	24
VIBR' A PLANCHE SIMPLE OR TRIPLE.....	25
ROUL' A PLANCHE SIMPLE OR TRIPLE.....	26
SEM' A PLANCHE (RADISH)	27
PST3P.....	28
IRRIGATION LINE WEED KILLER.....	29
WEED KILLER FOR PASSAGE.....	30
WATER LINE MOUND.....	31
ST CLEAN.....	32
BOILER INTEGRATION.....	33
WINDER UNWINDER STORER (EDS).....	34
LILY OF THE VALLEY PLASTIC WINDER.....	35
PLASTIC FILM RECYCLING WINDER (ERP).....	36
FIBER-SHEATHED ARCHES AND PLANTER KIT.....	37
LEEK PUNCHING MACHINE.....	38
SELF-PROPELLED TRACKED VEHICLE FOR HARVESTING LEEKS.....	39
RADISH HARVESTER - RH CLEAN.....	40
PALLET FORK.....	41
THE BIRD OF THE GREENS - SIMPLE GUTTER.....	42
LOIRE ELEVATOR	43
BOARD SCREENING.....	44
SARCL' A PLANCHE	45
RAZ' A PLANCHE	46
NET' A PLANCHE.....	47
V OF DESANDING.....	48
AXION DISTRIBUTOR - LIST OF PARTNERS.....	49



SUMMARY



FORIGO RANGE.....	50
DOUPLEX RIDGER	51
STONE BURIER.....	52
HERSE ROTATIVE.....	53
RIPPER.....	54
PLASTIC FILM UNWINDER.....	55



LEMKEN RANGE.....	56
HOEERS.....	57
STUBBLE CULTIVATORS.....	58



FARMAX RANGE.....	59
ROTOBÊCHE.....	60
ERP DIGGING MACHINE.....	61
DRP PERFECT.....	62
LRP PROFI.....	63
FAST.....	64
RAPIDE TRAILED.....	65
AERATEUR	66



SEPEBA RANGE.....	67
MARKET GARDENING MICROGRANULATORS.....	68



AGRICOLA RANGE.....	69
SEEDERS.....	70
AI 840 SN MICROBILLONS SEED DRILL (Without sanding).....	71



GRV RANGE.....	72
AGROVIS SPEADER.	73



CAFFINI RANGE.....	74
PROFARMER SPRAYER.....	75
PROFARMER SPRAYER - OPTIONS.....	76
RIDER VARIO TRACK.....	77



SUMMARY



SOLANO RANGE.....	78
DOOR SPRAYER.....	79
CONDOR DOOR SPRAYER.....	80
BGVL DOOR SPRAYER	81



BOISSELET RANGE.....	82
IRRIGATION LINE WEEDER.....	83



GAMME TERRATECK.....	84
GLIDER 500.....	85
EZY-PLANTS PLANTER.....	86
BINEUSE ARGUS / DUO	87
CULTITRACK TOOL HOLDER.....	88



CLAY RANGE.....	89
AFH HARVEST ASSISTANCE PLATFORM	90
AFH COMPACT HARVEST ASSISTANCE PLATFORM	91



DELECROIX RANGE	92
VEGETABLE TRAILER	93
VEGETABLE CARRIED PLATFORM	94
XXL 20M SEMI-MOUNTED HARVEST BELT	95



HORTECH RANGE.....	96
TRE OR TRE MATIC AUTOMATIC PLANTER	97
PLANTEUSE MINI-MOTTES PRACTICAL MIDI	98
SELF-PROPELLED SALAD HARVESTER.....	99
SELF-PROPELLED HARVESTER	100
MOUNTED HARVESTER	101
SELF-PROPELLED TRACKED LEAFY VEGETABLE HARVESTER.....	102
SELF-PROPELLED LEAFY VEGETABLE HARVESTER.....	103
VENTUM SELF-PROPELLED HARVESTER.....	104
SELF-PROPELLED LEAF VACUUM CLEANER.....	105



SUMMARY



GRIMME RANGE.....	106
GF200 ROCKER MILLING MACHINE.....	107
WEEDING MACHINE FOR WEEDING ON MOUNDS.....	108
POTATO PLANTER GL32 B	109
WH200 ALIGNER LIFTER	110
SE140 COMPACT POTATO HARVESTER.....	111



ASA LIFT RANGE.....	112
MULTI-VEGETABLE HARVESTER.....	113
CARROT HARVESTER	114
OTHER ASA-LIFT PRODUCTS.....	115



MICHALAK RANGE.....	116
VEGETABLE WASHING LINE	117
HYDRAULIC PALOX VACUUM.....	118
WATER BATH HOPPER.....	119
VEGETABLE WASHER.....	120
SPRINKLER WASHER.....	121
BRUSHING POLISHER.....	122
ROLLER CALIBRATOR.....	123
EXAMPLES OF MACHINE CLOTHES	124



JARNY MVS RANGE.....	125
FENDT TRACTOR.....	126
TRACTOR - AUTONOMOUS TRACTOR.....	127



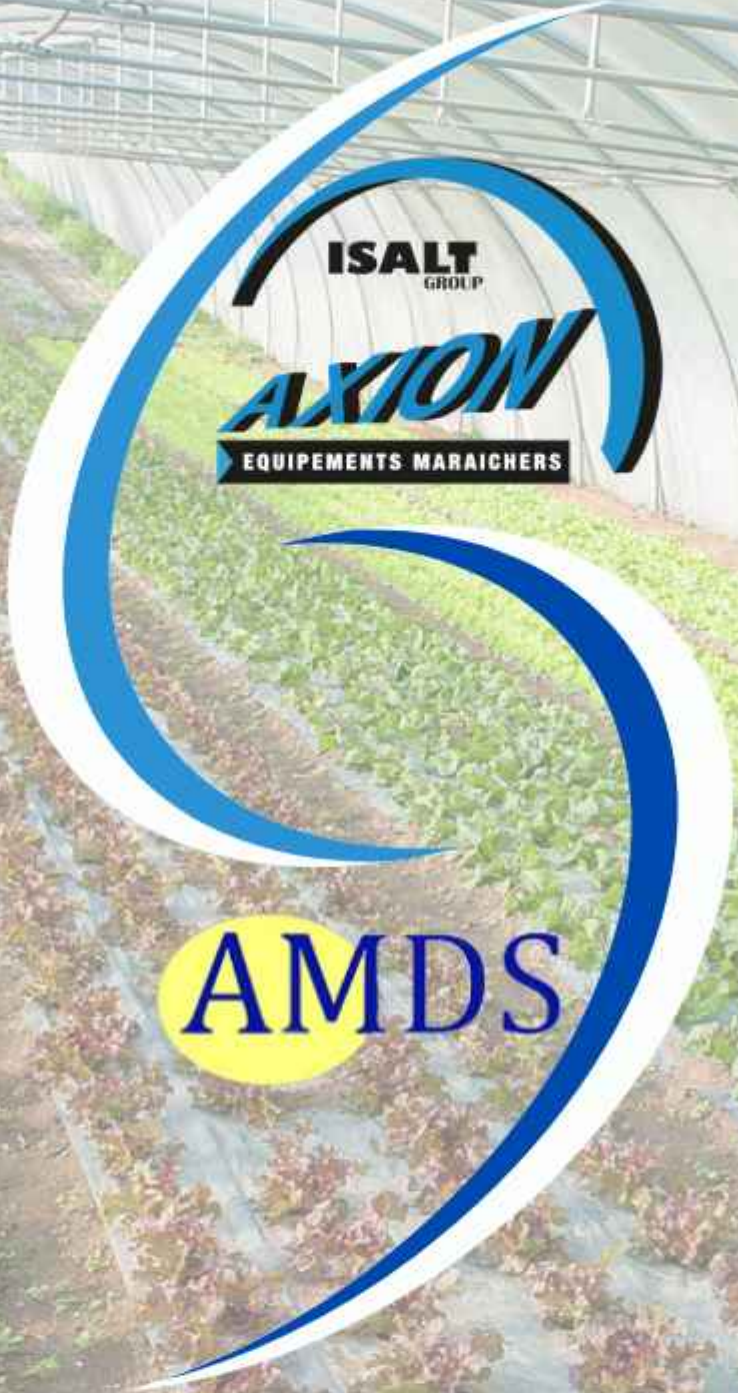
GAMME LANDINI.....	128
LANDINI TRACTOR - 6RS SERIES.....	129



NIUBO RANGE.....	130
WIDE RANGE OF CRUSHERS	131
STUBBLE CULTIVATOR RANGE	132



OWNER RANGE	133
PORTE ENGIN RC 2100/2	134
MONOCOQUE T700	135



ISALT
GROUP
AXION
EQUIPEMENTS MARAICHERS

AMDS

AXION AND AMDS RANGE



COMPOST SPREADER



The Compost Spreader is a compost spreading tool. The capacity of the bin is 5 m³ with sideboards. Maneuverability is improved thanks to the short-turn hitch. Emptying is done from the front allowing a visual control of the spreading. It is equipped with a refining roller in the box in order to have a homogeneous spread on the board.



SAV 
INSURED



- ✓ 5 m³ galvanized box
- ✓ Short-turn hitch
- ✓ Compost emptying belt across the width of the box
- ✓ Spreading towards the front
- ✓ Refining roller in the box
- ✓ Belt/roller drive by hydraulic motor
- ✓ Adjustable opening hatch
- ✓ Unbraked square axle of 60-5 tonnes
- ✓ Agricultural wheels
- ✓ 230/95R32 Not road approved



TRIPLE BOARD PLOTTER

MADE IN FRANCE



SAV 
INSURED

i

- ✓ Category 2 hitch Hydraulic folding for road clearance
- ✓ 2 front support wheels
- ✓ 4 scorers
- ✓ 4 rear support wheels for depth adjustment

OPENED AT NANTES TUNNELS

The rear Nantes tunnel opener is a tool for uncovering the tarpaulins of Nantes tunnels, it allows the removal of earth from the ends of the tarpaulins. The tool has two teeth to remove the earth. The adjustment is made with the rear lift



**TOOTH SPACING
ADJUSTABLE**



DISK' A PLANCHE

Our Disk' a planche allows the creation of market garden boards. The roller located at the front of the machine allows the height adjustment of the board. The V-shaped plates allow the leveling of the market garden board. The width-adjustable discs allow the restructuring of the board.



SAV 
INSURED

i

- ✓ Width (A): 1.2m to 1.8m
- ✓ Overall length (B): 2.2m
- ✓ Height (C): 1.4m Working
- ✓ speed: 6 km/h
- ✓ 3-point hitch Adjustable width
- ✓ and depth Front roller and pair
- ✓ of discs

PLANK SUBSOILER 3-5-9 DENTS

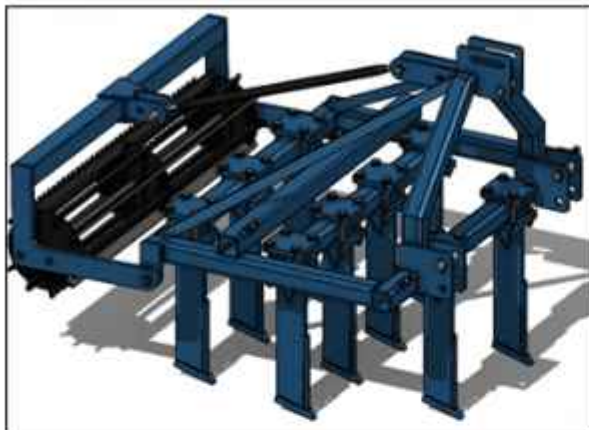
Our Board Subsoiler (subsoiler) is designed to split the earth in order to break up and aerate the soil structure. The roller located at the rear of the machine allows the depth to be adjusted. The discs, adjustable in width, located on the sides allow the earth to be folded down. The machine is designed to be attached to a 3-point hitch (category 2).



3 DENTS
WORKING DEPTH: 60 CM



5 DENTS
WORKING DEPTH: 45 CM



9 DENTS
WORKING DEPTH: 30 CM



SAV 
INSURED



- ✓ Subsoiler for low power: 60 to 105 HP
- ✓ ARDOX teeth + CARBIDE + FINS
- ✓ Installation stand

OPTIONS

- ✓ Pair of reinforced discs
- ✓ Pair of strikers

NON-STOP PLATE DECOMPACTOR

MADE IN FRANCE

Our Non-Stop Board Subsoiler is designed to split the earth in order to break up and aerate the soil structure. The Non-Stop safety on the teeth allows them to be moved back 15cm when they hit a stone or a rock point. The roller located at the rear allows the depth to be adjusted. The machine is designed to be attached to a category 2/3 3-point hitch.



**CHASSIS
REINFORCED**



**VERSION
3 OR 4 TEETH**

SAV 
INSURED



- ✓ Maximum working depth: 45 cm
- ✓ 3 or 4 ARDOX teeth + CARBIDE + FINS
- ✓ 1 nitrogen ball
- ✓ Working width: 145cm

OPTIONS

- ✓ Possibility of ploughshare
- ✓ Pair of reinforced discs

FRONT-MOUNTED DECOMPACTOR

MADE IN FRANCE

Our Frontal Board Subsoiler is a 3-tooth subsoiler equipped with a roller for depth adjustment.



SAV 
INSURED



- ✓ Working depth 25cm
- ✓ Carbide-tipped teeth
- ✓ Working width on request

PRE-SEEDING SUBSOILER

Our subsoiler, through the 6 teeth with which it is equipped, allows the soil to be made permeable again. The depth adjustment is carried out using the roller positioned at the rear. This tool is equipped with a 3-point hitch but also a weight holder allowing weight to be added to the tool.



SAVOIR 
INSURED

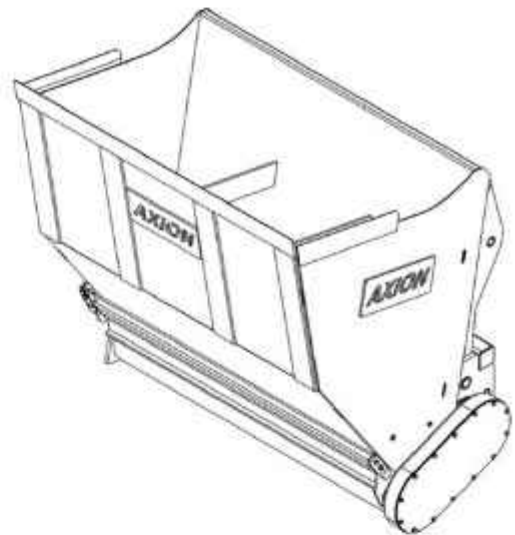


- ✓ Weight holder
- ✓ Working width: 145 cm and others
- ✓ 6 teeth
- ✓ Working speed: 0 to 8 km/h

FRONT SANDBLASTER

The Front Sander allows the spreading of sand on the market garden beds. Its design allows the loading of the sand by tilting the bucket only. The roller associated with the adjustable flap system allows the adjustment of the sand flow when spreading on the market garden bed.

The AXION front sandblaster range is available with different capacities.



SAV 
INSURED

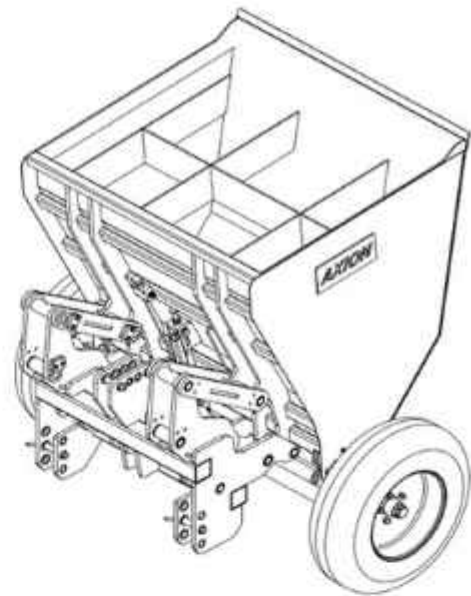


- ✓ Increased lifting capacity
- ✓ Wear ring
- ✓ Epoxy paint
- ✓ Capacity from 600L to 900L
- ✓ Working width from 1.2 to 1.4 meters
- ✓ Front hitch

REAR SANDBLASTER

The Rear Sander allows the spreading of sand on the market garden beds. Its design allows the loading of the sand by tilting the bucket only. The roller associated with the adjustable flap system allows the adjustment of the sand flow when spreading on the market garden bed.

The AXION rear sander range is available with different capacities. The sander is mounted with gauge wheels allowing sanding at a constant height on the board.



SAV 
INSURED



- ✓ Increased lifting capacity
- ✓ Wear ring
- ✓ Epoxy paint
- ✓ 1.8 meter track
- ✓ Capacity from 600L to 1500L
- ✓ Working width from 1.2 to 1.4 meters
- ✓ Rear hitch

DRIP UNROLLER

The Drip Unwinder is a tool for burying drip irrigation lines. The tool has two teeth to clear the soil and moldboards to close the soil once the pipe is buried. The adjustment is made with the rear lift. A constant depth burial option on a parallelogram is available.



SAV 
INSURED



- ✓ Hardox tooth
- ✓ Adjustable burial depth
- ✓ Option for parallelogram burier
- ✓ Adjustable pipe reel support

CULTIV' A PLANCHE

MADE IN FRANCE

Our Cultiv' a planche is a tool for preparing boards or stubble cultivation. It is equipped with 7 teeth to work the entire width of the board. The equipment is also equipped with 2 rollers at the back and 1 roller at the front. The edge plates mounted on a parallelogram allow the boards to be kept in shape.



SAV 
INSURED



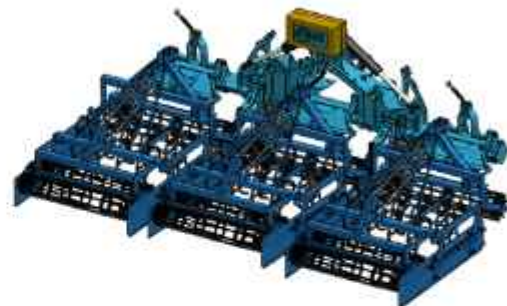
- ✓ Cultivator for vegetable beds
- ✓ 7 working teeth
- ✓ Quick depth adjustment
- ✓ Working depth: 15/20 cm

OPTIONS

- ✓ Side discs
- ✓ Pair of reinforced discs
- ✓ Pair of strikers

VIBR' A PLANCHE - SINGLE OR TRIPLE

The Vibr' a planche is designed to work on the surface of the board, more specifically it refines the soil. It constitutes the last stage of preparation before sowing or planting. It is fully adjustable. The edging discs are adjustable in height and width. The depth adjustment is done by simple rollers. The edging sheets mounted on a parallelogram allow the boards to be kept in shape. The double roller at the back allows for a nice crumbling of the soil.



SAV 
INSURED



- ✓ Single or triple (with hydraulic folding)
- ✓ 21 working teeth
- ✓ Working speed: 0 to 6 km/h
- ✓ Board width: 140 cm (other possibilities)

ROUL' A PLANCHE - SINGLE OR TRIPLE

MADE IN FRANCE

The Roul' a planche allows you to smooth and seal the market garden bed after sowing. It is available in different versions: 1 or 3 boards.

For the 3-roller version, each outer roller can be folded hydraulically to ensure work on the boards at the end of the plot, for example.



SAV 
INSURED



- ✓ Smooth stainless steel roller
- ✓ Working width: 145 cm
- ✓ Roller diameter 600 mm, sheet metal thickness 5 mm
- ✓ Roller bearings at the ends
- ✓ 80 x 80 x 5mm tube chassis
- ✓ Integrated scraper
- ✓ 3-point hitch

SEM' A PLANCHE (RADISH)

The Sem' a Planche is a seeding equipment. The number of rows as well as the type of seeds are variable. The compaction control is ensured by hydraulic cylinders. Each seeding element can be adjusted independently for optimal control. The seeder is equipped with 2 heated rollers.



SAV 
INSURED

i

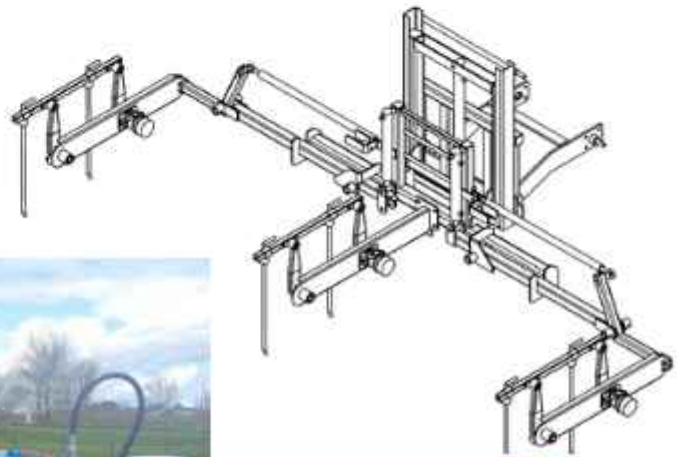
- ✓ Front and rear heated rollers
- ✓ Drive of hydraulic elements by DPAAE (option)
- ✓ 540 rpm power take-off
- ✓ Hydraulic compaction control
- ✓ Depth adjustment of each element
- ✓ Rapid emptying of each reserve
- ✓ Seed vacuum cleaner
- ✓ 12 rows, 11 cm spacing
- ✓ Easy maintenance
- ✓ Multiple possibilities for the number of rows and the seeds sow
- ✓ Wide choice of precision vegetable seeders on request



PST3P

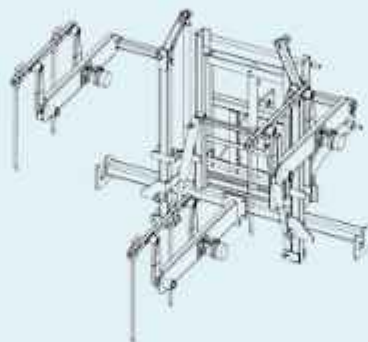
3-BOARD UNDER-TUNNEL SPRAYER

Our PST3P is a sprayer that allows treatment under tunnel. It avoids the handling of removing and replacing plastic films. The PST3P is equipped with a calculator allowing greater regularity and precision of spraying. It is designed to handle 3 tunnels simultaneously.



TUNNEL SPRAYING

**CALCULATOR BEST
PRECISION AND REGULARITY**



IRRIGATION LINE WEED KILLER

The Spray Line Weeder is specially designed to weed the sprinkler lines. It is equipped with a bell mounted on a slide allowing it to be folded down during transport. This protective bell allows the spray to be localized only on the sprinkler line.



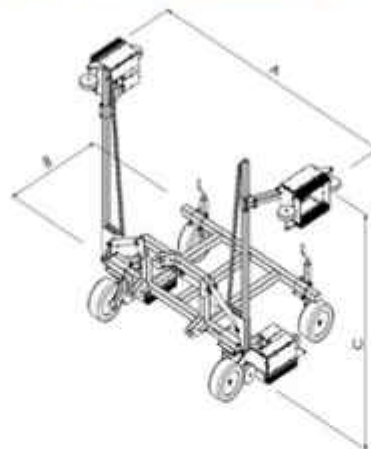
SAV 
INSURED



- ✓ Max Width (A) Unfolded/Folded: 3.4m / 2.3m
- ✓ Length (B) Overall: 1.9m
- ✓ Height (C) Overall: 1.8m
- ✓ Weedkiller tank: 300 liters
- ✓ Passage height under bell: 1.15m
- ✓ **Option: variable bell width**

PASSAGE WEED KILLER

Our Spray Weeder can weed up to 5 passways in a single pass. It is equipped with bells each mounted on a parallelogram system in order to follow the ground perfectly. These protective bells allow you to localize the spray only in the footwell, their fixings are adjustable to adapt to the width of your boards.



SAV 
INSURED



- ✓ Max Width (A) Unfolded/Folded: 8.5m / 2.5m
- ✓ Overall Length (B): 1.8m
- ✓ Height (C) Unfolded/Folded: 2m / 4m
- ✓ Weedkiller tank: 300 L
- ✓ Working speed: 0-4 km/h

BUTT' A LIGNE D'EAU

Our Water Line Butt' is a tool for reforming irrigation lines. The 2 discs reshape the sides of the mound.



SAV 
INSURED



- ✓ Double striker for the water line
- ✓ Two reinforced discs
- ✓ Front frame for 1.45 m board
- ✓ Hydraulic folding of the equipment
- ✓ Manual adjustment of the wheel height



ST CLEAN

MADE IN FRANCE

The ST CLEAN is the new continuous flow steam disinfection machine which combines MSD technology and AXION technology.

30% ENERGY SAVING DEMONSTRATED BY THE FIRST INSTALLATION ON EXISTING AUTOMATION THANKS TO MSD TECHNOLOGY



Agronomic Quality with continuous flow and soil temperature detection:

- No more undisinfected strips at the edge of the boards which pollute the disinfected soil: Disinfection is carried out over 100% of the width of the plot.
- The ground stays at temperature 3 times longer thanks to thermal covers.
- Ground temperature detection ensures quality work in correlation with the desired temperature and depth.



SAV **INSURED**

OPTIONS :

- ✓ Supply Complete disinfection machine on wheels with capacities up to 1000 kg/hour
- ✓ Supply Complete disinfection machine on tracks with capacities of 1,350 or 2,000 kg/hour





BOILER INTEGRATION ON AUTOMATION



MSD technology and AXION technology offer the possibility of integrating a single boiler or a Continuous Flow Kit into an existing automation system.



EXTENDING THE LIFE OF EXISTING EQUIPMENT

30% ENERGY SAVING



SAV 
INSURED

EDS WINDING UNWINDING STORING MACHINE

The EDS has been specially designed to roll up and unroll shade net, P17 style sail and insect netting. This rolled up netting is stored on AXION galvanised storage reels. A slewing arm can be installed to replace a person moving the netting.



SAV 
INSURED



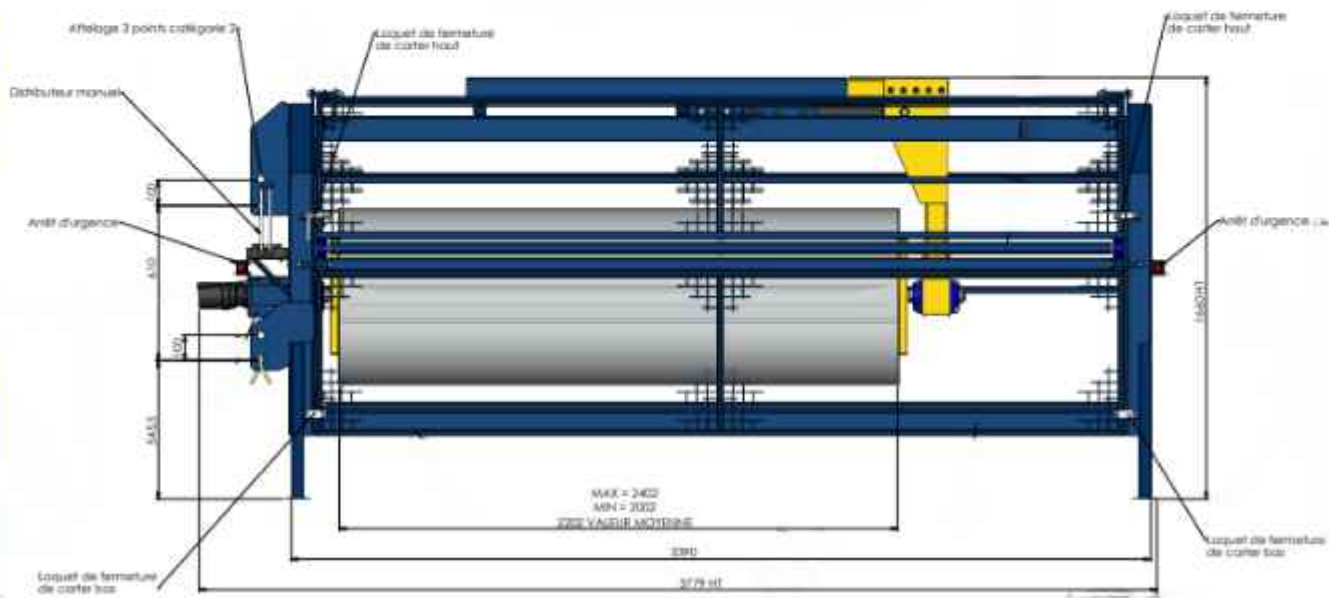
- ✓ Rear 3-point hitch Length: 2m -
- ✓ Width: 2.5m -
- ✓ Height: 1.8m
- ✓ Safety bar

- ✓ Length per reel: 2500m shade sail and 10,000m P17
- ✓ Possibility of adjusting the speed of the reel in the cabin

LILY OF THE VALLEY PLASTIC REEL

MADE IN FRANCE

The Lily of the Valley Plastic Roller has been specially designed for growing lily of the valley.



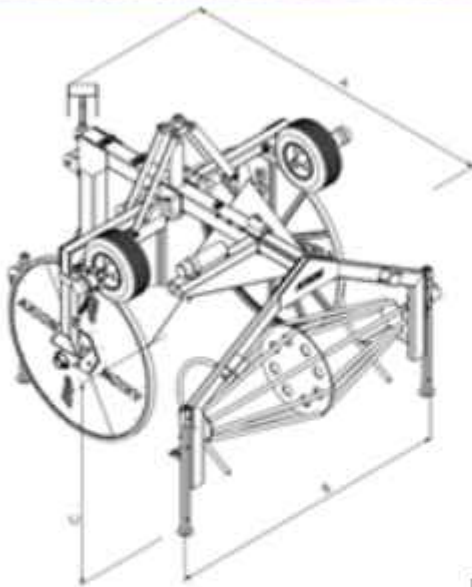
SAVO 
INSURED



- ✓ Chuck width from 2000 to 2400mm
- ✓ Hydraulic chuck clamping
- ✓ Variable speed hydraulic drive
- ✓ Protective cover with safety and automatic cut-off
- ✓ 3-point hitch category 2
- ✓ Painted steel

ERP - PLASTIC FILM RECYCLING WINDER

The ERP has been specially designed for the recovery of plastic film to be recycled. The two metal cones can be raised separately to be able to correctly remove the plastic film. As an option, a system has been designed to carry out the cross-canning.



SAV 
INSURED



- ✓ Length (A): 2 m
- ✓ Width (B): 2.1 m
- ✓ Height (C): 2 m
- ✓ 3-point hitch
- ✓ 2-wheel drive



AXION FIBER SHEATHED ARCHES

MADE IN FRANCE

SAY GOODBYE TO STRAIGHTENING AND THE RISK OF FIBER SPLITTING!

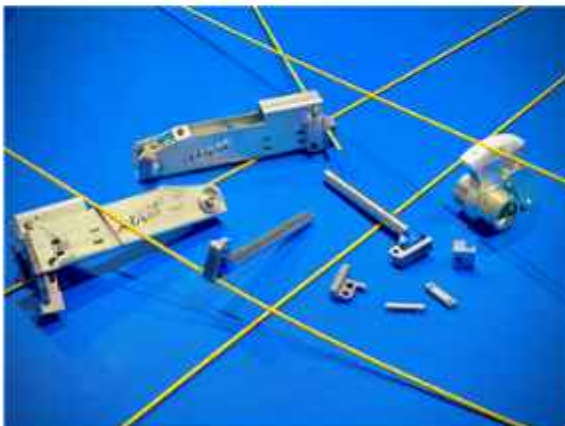


SAV **INSURED**



- ✓ TIRATEC is made of E-glass fibers with a thermosetting resin, covered with colored polypropylene
- ✓ External Diameter 6.60 mm Hot
- ✓ Bending Test 100°C Operating
- ✓ Range °C -25 / +90

SPECIAL PLANTER KIT FOR FIBER-COVERED ARCHES



This kit was developed, designed and built by AXION especially for fiber-sheathed hoops so as not to damage them.

SPECIFIC CLAMP AND HOOK

ULTIMATE ROLL BAR PROTECTION

LEEK PUNCHING MACHINE

MADE IN FRANCE

The Leek Puncher is used to prepare holes for planting leeks. The holes are at a regular interval of 10cm. This equipment can work alone or in combination behind soil preparation equipment.



SAV 
INSURED



- ✓ 4 rows / 4 punches
- ✓ 16 stainless steel punches diam.45 with cone
- ✓ 2 rear metal load-bearing wheels
- ✓ 2 pneumatic front load wheels Cardan drive
- ✓ PDF 540 rpm
- ✓ Working width 145cm
- ✓ Reinforced chassis
- ✓ 3 floating points
- ✓ Forward speed 1.5 Km/h

SELF-PROPELLED TRACKED MACHINE FOR HARVESTING LEEKS

The Crawler adapted for vegetable harvesting is designed to be able to adapt to difficult environments and to harvest where other vehicles could not access. Developed by the two brands of the ISALT group, it combines the know-how of AXION and the skills of CDO INNOV in sensitive environments. The harvester attached to the machine can be mounted on a translating intermediate chassis, which allows the center of gravity of the machine to be maintained at its optimal position during harvesting. The distribution of the weight of the assembly on the tracks allows it to maintain good grip and protection of your soils.



SAV **INSURED**



- ✓ Rubber tracks width 600mm
- ✓ Maximum speed 15 km/h
- ✓ 175 HP thermal engine
- ✓ 315 litre diesel tank
- ✓ 7.5 tons
- ✓ Ground pressure: 236 g/cm³

RADISH HARVESTER - RH CLEAN

The AXION brand radish harvester is a patented product, this self-propelled harvester on 4 drive wheels is dedicated to harvesting radishes without even damaging the product, the radishes are then packaged in bulk in pallet boxes.



**CHOOSE FAST EQUIPMENT
WITH PRECISION WORK**



SAV 
INSURED



- ✓ 4 directional wheels
- ✓ Overall length: 6.1m
- ✓ Overall width: 2.4m / 3.51m
- ✓ Overall height: 2.2m
- ✓ Weight 5.5 T in operation
- ✓ Machine equipped with radish picker with electronic sensor
- ✓ Speed: max travel: 5km/h
- ✓ Working speed: 0.3km/h - 1.1km/h

FORK TO PALOX

MADE IN FRANCE

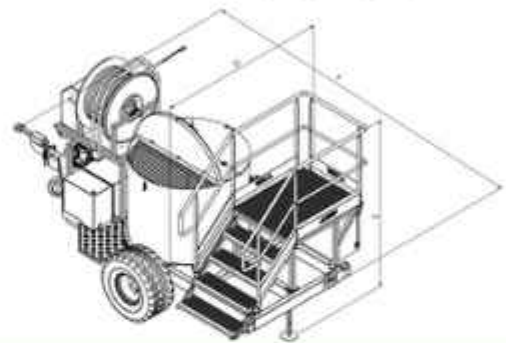
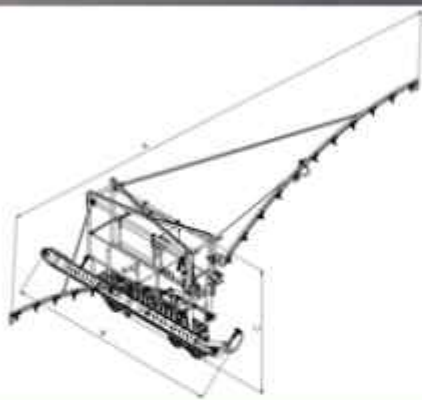
The Palox Fork allows you to take 2 circular harvest cages for transport between the field and the packaging.



THE BIRD OF THE GREENHOUSES - SIMPLE GUTTER

The Greenhouse Bird, so called because of its construction, allows greenhouses to be whitened and unwhitened using a spraying system.

The sprayer is designed to work on multi-span greenhouses. It is placed in the gutter while resting on the structure of one of them. This strip which provides the support is motorized and synchronized with the advancement of the machine so as not to damage the greenhouse. The spraying of the products is carried out on two halves of greenhouses thanks to the two arms on which the nozzles are fixed.



SAV 
INSURED

i

BIRD OF THE GREENHOUSES

- ✓ Unfolded / Folded: 10m / 1.6m
- ✓ Length / Height: 4.2m / 3.4m
- ✓ Powered by a generator
- ✓ Weight: 365kg

TRAILER

- ✓ D x E x F: 2.5m x 2.5m x 4.8m
- ✓ 1600 litre tank
- ✓ Empty weight: 1.6 tonnes

LOIRE ELEVATOR



The Loire Elevator is built with triplex system masts with "H" elevation profiles made of ST 52.3 quality hot-rolled steel with highly reinforced axial bearings.

Various models and options:
Box press Pallet press Side press



- ✓ CAT II hitch.
- ✓ 2 double-acting side cylinders
- ✓ Double lifting chain
- ✓ Ultra-reinforced axial bearings
- ✓ Foldable forks
- ✓ 3 movements: vertical, tilt and shift
- ✓ Lateral movement on two DESLIDUR® guides
- ✓ Standard control with teleflex joystick (electric optional)
- ✓ Protections according to CE standards

BOARD SCREENING MACHINE

The Board Screener is used to clean market garden boards. It is equipped with a rear bucket with a capacity of 1300 liters specially designed to empty at a height of 2.4m. This machine is attached via a pivot hitch head which allows for greater maneuverability. The chassis is made of galvanized steel for better resistance to corrosion.

Several options are available: anti-blocking worm screw system (against stones), a fine mesh belt, installation of a hydraulic unit directly mounted on the machine, hydraulic shaker, etc.



MATERIAL
ADAPTE
FOR ONE
AGRICULTURE

WAS

SAV 
INSURED



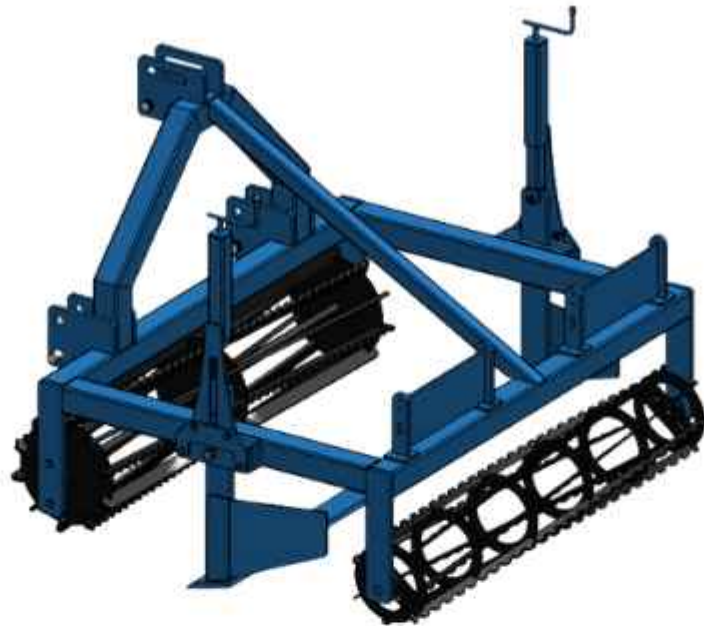
- ✓ 1300 liters of loading
- ✓ Overall width: 2m
- ✓ Overall length: 6m

- ✓ Emptying height: 2.3m
- ✓ Wheelbase: 1.8m
- ✓ **Options: Hydraulic power unit**
- ✓ **Swan neck conveyor**

WEED THE BOARD

MADE IN FRANCE

The Sarcl' a planche is used to weed the residues of young shoots or salads.



SAV 
INSURED

i

- ✓ Two rollers for depth adjustment
- ✓ Steel blade
- ✓ Blade adjustment by cranks

RAZ' AND PLANCHE

The Raz' a planche is a leaf mower. This equipment can be used for various plants such as lily of the valley, radish, etc. This equipment allows a clean cut and then ejects the product into the pass-through.



SAV 
INSURED



- ✓ 4 wheels on adjustable crutches
- ✓ Protective sheet
- ✓ 4 treated steel knives
- ✓ Cardan with torque limiter
- ✓ 3-point hitch

CLEAN THE BOARD

MADE IN FRANCE

The Net' a planche is a surface cleaning tool for vegetable beds which is used just before sowing to remove stones and surface roots.



SAV 
INSURED

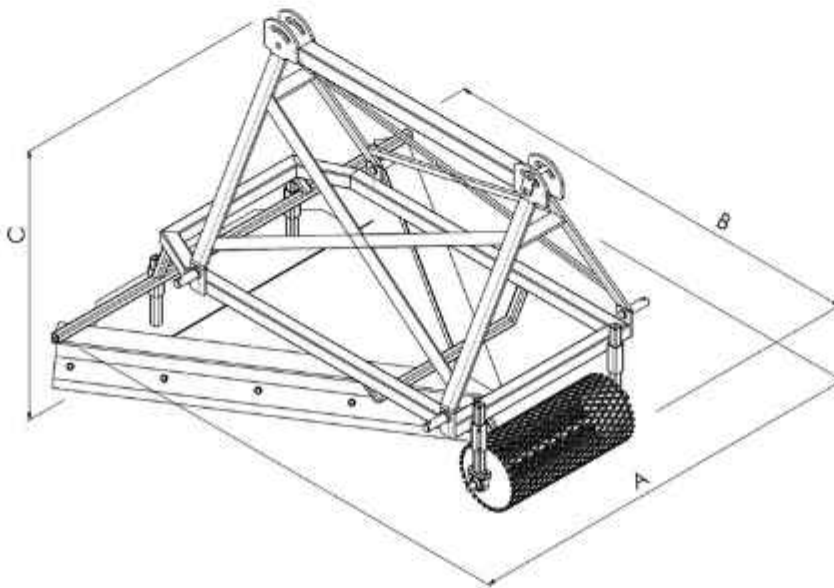
i

- ✓ Board 1.45m (other widths possible on request)
- ✓ 2 rotors
- ✓ 1 flow divider
- ✓ 2 adjustable rear wheels

- ✓ Front anti-splash tarpaulin
- ✓ Single or double coupling
- ✓ Probing by wheels or roller

IN THE DESSABLATION

The purpose of the sand removal V is to remove sand from the market garden bed. It is equipped with a roller at the front to adjust the depth and two blades used for sand removal. Finally, a leveling blade located at the rear allows the bed to be leveled again. The tool is also equipped with two 3-point hitches on each side of the machine allowing it to be hitched to the front or rear of the tractor.



SAV 
INSURED

i

- ✓ Grader blade
- ✓ Front and rear linkage
- ✓ Working speed from 0 to 6 km/h
- ✓ Maximum width (A) overall 1.6 meters
- ✓ Length (B) overall 1.8 meters
- ✓ Height (C) overall 1.2 meters



AXION AND AMDS - DISTRIBUTOR





FORIGO

FORIGO RANGE

FORIGO

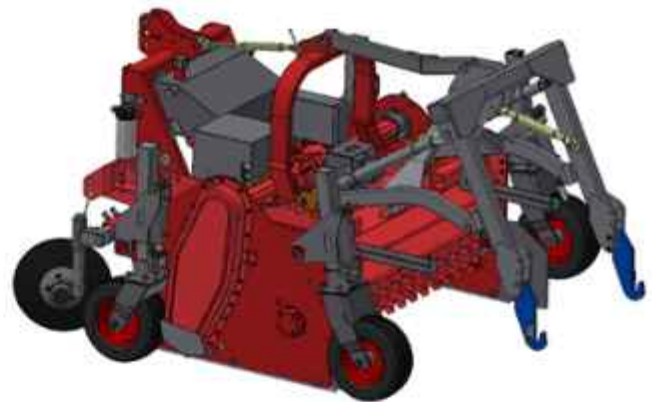
roteritalia



DOUBLEX SCORER



The Douplex ridger equipment is designed for the creation of market garden mounds in free soil with little stone or rock content. It consists of a rotor for milling on the front part with high-cutting teeth and a second counter-rotating rear rotor for finishing and forming the mound.



i
The douplex is available in several widths (90-600cm) in 1, 2 or 3 boards (fixed or folding for tractors between 40 and 400 HP power).

STONE BURIER



The Stone Burier treats the soil while aiming to bury stones and crop residues with great efficiency even in previously unworked areas and with particularly stubborn soil. The reverse rotation of the milling rotor with special hoes combined with a selection grid and a leveling blade allow to bring back to the surface a soft soil of well-refined grain size facilitating subsequent mechanical operations of sowing or transplanting.



They are ideal for many crops such as tomatoes, salads, onions, the IV range, creating well-structured beds and excellent permeability that remain stable throughout the crop cycle. The range is very wide and includes single, double and triple machines, fixed or folding, for the most heterogeneous needs and traction powers.



HERSE ROTATIVE

The principle of the Rotary Harrow is based on a series of rotating knives capable of cutting larger slabs and optimally leveling the working surface. The operation of the vertical axes allows good ventilation of the soil while maintaining the structure and natural composition intact. Different types of rollers or rear accessories adjust the working depth and allow the seedbed to be worked on flat ground and on mounds.



All Forigo rotary harrows are designed to last a long time and handle large work volumes in order to maintain low consumption. The range consists of several sizes of fixed and folding equipment for all existing tractors on the market.



RIPPER

The Decrusher is suitable for the regeneration of seedbeds or transplants, thus avoiding deep work. Its light and well-dimensioned structure allows the machine to be placed on existing mounds, while the rollers or support wheels determine the working depth. The special reverse-rotating rotor has short teeth that allow grinding in the surface of the mound.



PLASTIC FILM UNWINDER



The Plastic Film Unroller for Mulching is able to lay film of different dimensions, both on flat ground and on mounds. We offer a stable and robust system of very compact size and therefore easy to maneuver in the most diverse working conditions, such as slopes and stubborn ground.



In addition, we provide you with technology that can be used either trailed with a third point or by assembling the roller to other soil preparation equipment. Different tools including irrigation pipes, marking wheels, rotary plow and others can be added easily.



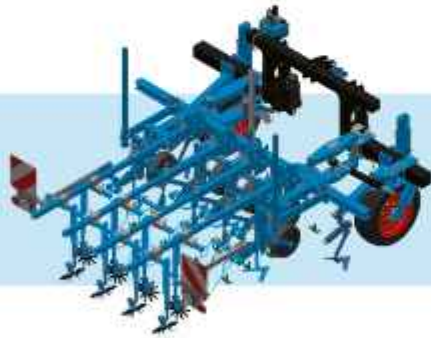


LEMKEN RANGE



HOERS

LEMKEN offers tailor-made hoeing solutions for classic row crops through to highly specialized vegetable crops.



EC Weather

- Hoe adaptable according to needs
- Row spacing from 15 to 150 cm, individual working widths up to 13 m
- Optional IC-Light camera control

EC-Steer

- Parallel mobile chassis for each type of hoe
- Control of the hoe manually via the seat and joystick or automatically with IC-Light camera guidance
- No transfer of movement between the tractor and the guide frame, thanks to the open lower stabilizers



EC-Ridger

- Hoeing and grounding the machine for the ridges, while protecting the crop
- Ridge stability remains intact
- Easy to use, low maintenance and high quality

IC Weather

- Automatic intra-row type inter-plant vegetable hoeing machine
- Single plant recognition using camera images
- Active hoeing knives move between plants in a row



Thulit

- Harrow with 4 beams and 8 rows
- OptiTine hydraulic tooth pressure adjustment
- Working widths of 6, 9 and 12 metres

STUBBLE CULTIVATORS

LEMKEN offers a wide range of disc and tine cultivators to enable forward-looking farmers and contractors to implement a soil cultivation strategy tailored to their technical itinerary, soils and crop rotation.

COMPACT DISC CULTIVATORS



• Heliodor



• Rubin



• Rubin



- Versatile in the spectrum of superficial soil cultivation up to 20 cm deep
- Provide excellent mixing result in all growing methods
- Available in many working widths and in mounted or semi-mounted versions
- Different disc diameters of compact disc cultivators for working at different depths

TINE CULTIVATORS

Koralin 9K



Mounted cultivator-scalper, ultra-flat soil cultivation and mechanical weeding

Coraline 9 DONE



Semi-mounted flat cultivator, combines the advantages of the disc harrow and the tine harrow

Karat 9



Superficial full-width stubble cultivation after harvest and subsequent intensive and deeper mixing phases

Karat 10



New three-row cultivator is tidier and easier to pull thanks to symmetrically arranged teeth

Karat 12



Particularly well suited to heavy soils and no-till seeding

Crystal 9



Mixing intensity that can only be achieved by multi-beam cultivators



FARMAX RANGE

FarmaX
SOIL FOR THE FUTURE

SPIN BIKE



The FarmaX Rotobêche allows complete soil preparation before sowing. The soil is aerated evenly.



- ✓ Working width 145 cm
- ✓ Maximum working depth 45 cm
- ✓ 6 Removable 2-pallet
- ✓ flanges 540 rpm housing, shaft speed 128 rpm
- ✓ Reinforced shaft bearings
- ✓ Rear cover
- ✓ Pair of adjustable front discs
- ✓ Rear deflector plates
- ✓ Large rear gauge wheels
- ✓ Cardan with safety
- ✓ CAT 2 hitch



ERP DIGGING MACHINE

The Farmax ERP is a digging machine for light tractors with a capacity of 20 to 35 BHP. The high manoeuvrability and low weight of the ERP make it particularly suitable for applications in greenhouse horticulture, floriculture and small plot tillage. Apart from the perfect rototillage it achieves, the popularity of the Farmax ERP can mainly be attributed to its ease of use and robust design.



- ✓ Drive: Single-sided drive chain
- ✓ Traction power: 20 to 35 BHP
- ✓ Power take-off: 540 rpm
- ✓ Low power consumption, suitable for small tractors
- ✓ Highly manoeuvrable even in confined spaces
- ✓ Easy to use
- ✓ Robust, low-maintenance design
- ✓ Improved output thanks to optimised soil structure
- ✓ Gearbox
- ✓ Mechanical adjustment of the rotary harrow
- ✓ (available without rotary harrow)



DRP PERFECT

The digging machine for livestock farming, horticulture and small-scale agriculture with a capacity of 80 to 120 BHP. The DRP Perfect Farmax is available with different working widths and can be efficiently equipped with a rotary harrow with hydraulic adjustments, a rototiller, a ring roller, a tube roller or a packerwals. Regardless of the soil type, the DRP Perfect guarantees you the best possible soil for sowing or planting!



i



- ✓ Main shaft (rotor) drive: gearbox with differential
- ✓ Capacity up to 1.2 hectares per hour in optimum conditions
- ✓ Power take-off: 540 rpm
- ✓ Traction power: 80 to 120 BHP
- ✓ Easily combined with other machines
- ✓ High capacity
- ✓ Compact, easy to use and low maintenance design
- ✓ Polyethylene coating to prevent the machine from blocking
- ✓ Suitable for many types of soil such as sand and light clay
- ✓ High efficiency gearbox

LRP PROFI

The Farmax LRP PROFI spading machine is designed for agriculture and gardening: fast, economical and versatile. Work faster and save fuel! Its ploughing increases the yield by 10 to 20%. The machine can be used as a high-speed rototiller without damaging the soil structure. Easy to maintain and use, comes almost fully equipped as standard, with a large number of optional functions. Equipped with a powered rotary harrow, a driven rototiller and a synchronised packer roller, it can also be combined with a seeding machine with fixed attachment points or a top-mounted elevator.



- ✓ Main axle (rotor) drive: Via the central transmission with a differential, and via a heavy-duty chain drive on the rotor.
- ✓ Capacity: Up to 2 hectares per hour in optimal conditions
- ✓ Power take-off: 1000 rpm
- ✓ Traction power: 120 to 200 BGP
- ✓ Fuel savings of up to 40% by combining several operations
- ✓ High speeds to increase capacity
- ✓ Suitable for all types of soil thanks to the numerous options 12-20% additional yield through optimal ploughing
- ✓ Easy to use and maintain

FAST

The FarmaX Rapide with a working width of 3 to 4 meters, plows heavy, sandy, clayey or even stony soils, quickly and without any problem. The Rapide has a very heavy machine design with a polyethylene coating to prevent the soil from blocking the machine. It is possible to install a second roller with hydraulic adjustment for even better results on all types of soil. Thanks to the many possible combinations, the machine achieves fuel savings of up to 40%.



- ✓ Main shaft (rotor) drive: gear wheel transmission
- ✓ Capacity: up to 2 hectares per hour in optimum conditions
- ✓ Power take-off: 1000 rpm, differential in the gearbox
- ✓ Traction power: 200 to 300 BHP
- ✓ Very fast rototillage with consistent quality
- ✓ Trouble-free tillage on heavy soils
- ✓ Reduced fuel consumption thanks to the many possible combinations
- ✓ Combined scrapers for better rototillage results
- ✓ Many simultaneous combinations possible
- ✓ Very easy to use and maintain

RAPIDE TRAILED

The Rapide Trailed from Farmax is a towed cultivator with a working width starting from 4.5 metres. The Rapide Trailed can handle all soil conditions, with excellent tillage and exceptional capacity. With a maximum tillage depth of 40 cm, the Rapide Trailed tills heavy sandy or clayey soils quickly and without any problems. The Rapide Trailed is equipped as standard with a pneumatic tyre roller consisting of two sets of eight tyres. This pneumatic tyre roller ensures a uniform tillage depth and applies the correct pressure to the soil after tillage. In addition, it ensures perfect restoration of the groundwater network.



- ✓ Total weight: 7,500 kg
- ✓ Drive: Gearbox equipped with differential and extremely heavy-duty transmission
- ✓ Capacity: up to 2.8 hectares per hour
- ✓ Power take-off: 1,000 rpm
- ✓ Traction power: 200 to 300 BHP
- ✓ Extra high capacity thanks to very large working width
- ✓ Low maintenance, very easy to use
- ✓ Ploughs heavy sandy and clayey soils without any problems
- ✓ Specially designed pneumatic tyred roller to restore the groundwater network and ensure a uniform rototillage depth
- ✓ Towing speed up to 8 km/hour

AERATOR

Farmax aerators are specially designed to aerate (sports) fields with hard turf or compacted areas below the surface. The specially designed blades penetrate to a depth of up to 40 cm and are arranged to stir the soil up to the edges of the machine. The blades are mounted on both sides with guides that prevent the turf from being damaged or moved. Farmax aerators use a fixed blade system, which means that they have few moving parts. As a result, Farmax aerators are very easy to use and require little maintenance. Treatment with a Farmax aerator ensures optimal development of the root system. This means that the grass is in perfect condition and you get a high-quality lawn.



- ✓ Types: DRP-B, LRP-B: The gearboxes used for the transmission are equipped with differentials
- ✓ The Farmax DRP-B is driven at 540 rpm
- ✓ The LRPB is specially designed for intensive use
- ✓ The machine has a power take-off of 1000 rpm
- ✓ Better aeration of deep soil layers and hard grass lawns
- ✓ Specially designed blades to ensure that the soil is disturbed right up to the edges of the machine
- ✓ Guides that prevent the lawn from being damaged or moved



Sepeba



SEPEBA RANGE

Sepeba

MARKET GARDEN MICROGRANULATORS

The Microgranulators for market gardening are specially designed to adapt to multiple uses since they can be mounted on single-seed or board market garden seeders; on planters; on ridgers, plasticizers, soil working tools; as well as on autonomous, pushed or hitched carts.

Whether it is the high flow rate trolley for spreading at adjustable height on containers (to adapt to plant growth), the demountable trolley for easy transport in a car (and therefore very suitable for experiments) or the simple "wheelbarrow", for full or localized spreading, there is a suitable solution.

COMPLETE EQUIPMENT READY TO INSTALL



A WIDE RANGE OF AUTONOMOUS TROLLEYS



- ✓ Tank: 6L, 20L, (other capacities optional)
- ✓ 1 or 2 outlets (Ø 25 mm)
- ✓ Rotor: stainless steel, with adjustable capacity by moving a dosing block on a graduated cursor
- ✓ Distribution: by telescopic descent, flexible pipes + tapping, 80 mm mini-excavator(s) or 250 mm Difosol excavator(s)
- ✓ Drive: 12 V gear motor or DPA system by wheel or power take-off on planter, seeder, etc.



AGRICOLA RANGE

 **agricola
italiana**
PNEUMATIC PRECISION SEED DRILLS



SEEDERS

Leader in the manufacture of agricultural and market garden seeders

Agricola Italiana was founded in 1977 thanks to the intuition and commitment of its two founding partners. Over the years, the company has become a world reference for the manufacture of precision pneumatic seeders. Thanks to a strict and meticulous production, marketing and industrial sales organization, Agricola Italiana has been able to offer a wide range of agricultural machinery for sowing on all types of soil.

The company constantly invests in research and innovation, with the aim of improving product quality, a rapid and efficient response to market demands.

1

MARKET LEADER: LAMB'S LETTUCE, YOUNG SHOOTS, RADISHES...



AI740 SNT - PNEUMATIC

Versatile seeder, inter-row spacing can be changed very quickly. For all sowing of leeks, beets, salad, onions, etc. Adjustable spacing from 25mm between lines.



AI840 SNT - PNEUMATIC

Versatile seeder, inter-row spacing can be changed very quickly. For all sowing of leeks, beets, salad, onions, etc. Adjustable spacing from 25mm between lines



AI620 SNT - MECHANICS

Material intended for high density sowing such as young shoots, lamb's lettuce, etc. Foam distribution, high density seeding, adjustable spacing from 35 mm.



AI620-BIG - MECHANICAL

Material intended for high density sowing such as young shoots, lamb's lettuce, etc. Foam distribution, high density seeding, adjustable spacing from 35 mm.

AI 840 SN MICROBILLONS SEED DRILL

A SEEDER DEVELOPED FOR SOWING LAMB'S LETTUCE WITHOUT SANDING

11 triple-line seeding units, i.e. 33 lines

- *Agitator*
- *Quick release of front and rear seeds*

*Seed vacuum cleaner Progress control radar
and in-cabin control box*



- ✓ 1400 mm beam chassis - 1 bar chassis
- ✓ Hydraulic assistance of the rollers: 20 L/min 180 bars
- ✓ Hydraulic drive of the turbine: 40 L/min 180 bars
- ✓ Stainless steel front roller with scraper
- ✓ Rear notched rubber roller with scraper for forming microbeads
- ✓ Quick disassembly of the elements 11 + 2 seeding discs
- ✓ 1 row + 2 seeding discs 2 rows
- ✓ Electrohydraulic drive (tractor) of the seeding elements: 20 L/min 180 bars
- ✓ Compressed air heat exchanger
- ✓ Vacuum turbine for seed suction



GRV RANGE



AGROVIS SPREADERS



Established in the south of the Burgundy vineyard since 1987, GRV is a machine manufacturer, particularly specializing in Agroviz spreaders. The Interligne 6-screw model is equipped with a 6-screw spreader base, 1200 mm wide, which allows for efficient spreading.



They are ideal for many crops such as tomatoes, salads, onions, the IV range, creating well-structured beds and excellent permeability that remain stable throughout the crop cycle. The range is very wide and includes single, double and triple machines, fixed or folding, for the most heterogeneous needs and traction powers.



CAFFINI RANGE



CAFFINI[®]
SPRAYERS EQUIPMENT



PROFARMER SPRAYER

The Profarmer is a full-field sprayer for weeding and treatment. In fact, it has been designed for treatments in irregularly shaped plots, with obstacles where it is necessary to open/close/partialize the width of the bar in a simple and quick way. The hydraulic bar is entirely made of special high-strength steel.

Different booms are available for the PROFARMER sprayer ranging from 15 to 28 meters in width with the possibility of installing an air hose.



PROFARMER 045S



PROFARMER HBS



PROFARMER 045



- ✓ Steel frame with epoxy paint after cataphoresis
- ✓ Vertical lifting with hydraulic cylinder
- ✓ Automatic on-board computer
- ✓ Integrated rinsing tank and hand wash tank
- ✓ Incorporation hopper



PULVÉRISATEUR PROFARMER

Liste des options du Pulvérisateur PROFARMER

D'autres options à la demande sont disponibles

ProPack 23 : Elektrol 5 avec correcteur de devers hydraulique avec commande sur l'écran, Ordinateur de bord CB9 à 7 tronçons, Feux de signalisation

ProPack 24 : Elektrol 5 avec correcteur de devers hydraulique avec commande sur l'écran, Ordinateur de bord CB9 à 9 tronçons, Feux de signalisation Pompe de 200l/min

au lieu de 150l/min Correcteur de devers

hydraulique (+ 1 Distributeur D.E.)

Elektrol 4 : distributeur à 4 fonctions : ouverture droite et gauche, relevage et correcteur de devers hydraulique avec commande sur l'écran CB9 Elektrol 5 :

distributeur à 5 fonctions : ouverture droite et gauche; relevage, correcteur de devers et blocage hydraulique avec commande sur l'écran CB9 Boîtier Elektrol BusCan avec

commandes séparées de l'écran Elektrol 7 : distributeur avec boîtier

(pas BusCan) à 5 fonctions : ouverture droite et gauche; relevage, correcteur de devers et blocage hydraulique avec commande sur l'écran CB9 Ordinateur de bord CB9 avec 7 tronçons au lieu de 5

Ordinateur de bord CB9 avec 9 tronçons au lieu de 5 Boîtier

fermeture tronçon en BusCan avec commandes séparées

de l'écran Cable pour le signal de la vitesse du tracteur pour ordinateur de bord CB9

(7 pôles)

Mini antenne GPS signal vitesse pour ordinateur de bord CB9 (au lieu du capteur de vitesse de la roue)

Système de guidage assistée GPS Farmnavigator avec écran de 7" à couleurs et fermeture automatique des tronçons (si en combinaison avec CB9)

Indicateur de niveau électronique pour ordinateur de bord CB9 ISO-

BRIDGE : Kit adaptation pour Ordinateur de bord CB9 à tracteurs Isobus ORDINATEUR DE

BORD ISOBUS Ready Feux de signalisation

pour la circulation routière Feux de signalisation pour

la circulation routière (avec manche d'air)

Prédisposition de 2" pour le remplissage en pression (aqueduc, station de remplissage)

Jets d'extrémité de rampe orientables

Attelage rapide à triangle au 3ème point Bac

de rangement pour produits phyto avec serrure pour 1000 et 1200l.

Bac de rangement pour produits phyto avec serrure pour 1500l.

Roue de stationnement

Rampe galvanisée à chaud (temps de livraison à demander)

Protection pour les buses sur toute la longueur de la rampe HBS 15-16 m.

Protection pour les buses sur toute la longueur de la rampe HBS 18 m.

Rinçage à l'intérieur de la cuve avec motopompe électrique actionnée de la cabine Rinçage à

l'intérieur de la cuve avec pompe hydraulique (1 Distributeur D.E.) actionnée de la cabine (SANS BAC DE RANGEMENT)

RIDER VARIO TRACK

The Rider Vario_Track is an innovative self-propelled sprayer. It has been designed for contractors and medium-sized farms. Its 2500 or 3000 litre tank adapted to the machine allows for a distribution of its total mass, equal on its 4 wheels. It is the only self-propelled sprayer with the possibility of modifying the track of the cabin from 150 to 300 cm.



- ✓ High-strength steel frame, with cataphoresis treatment and epoxy powder paint
- ✓ Deutz 100 kW (136 hp) 4-cylinder engine AdBlue -STAGE 4-5
- ✓ Hydrostatic transmission: 4-wheel drive with hydraulic motors, hydrostatic pump and Bosch-Rexroth anti-skid system
- ✓ 4-wheel steering with 3 steering systems





SOLANO RANGE



SOLANO

HORIZONTE®

DOOR SPRAYER

The SOLANO PORTE sprayer with market gardening boom, ideal for greenhouses with 4 to 7 beds. Each section is hydraulically independent. Booms fold at tractor level.

Ramp manufactured by AXION AMDS



- ✓ Hydraulic folding of the booms
- ✓ Hydraulic elevation
- ✓ Several pump flow rates possible
- ✓ Single or three jet nozzle holder
- ✓ Nozzle on demand
- ✓ 5 spray sections
- ✓ DPA or DPAE control
- ✓ Tank capacity 600 / 800 / 1000 L
- ✓ Main filtration and section filter



CONDOR DOOR SPRAYER

The SOLANO PORTE CONDOR sprayer is mounted on the tractor's 3-point rear hitch and operates with cardan transmission. Available in capacities from 800 to 2,000 liters. It is offered with a wide range of electric dpm and dpae regulators. The main polyethylene tank incorporates two independent auxiliary tanks (hand wash and circuit rinse). It is mounted with a hydraulic agitator to ensure good homogeneity of the spray mixture.



- ✓ Structural steel frame + steel sheet.
- ✓ Qualicoat polyester powder paint
- ✓ Polyethylene tank Hand wash tank
- ✓ Circuit rinse tank
- ✓ Suction filter with safety valve
- ✓ Hydraulic agitation
- ✓ Pressure filter on regulator
- ✓ Folding step
- ✓ Hydraulic ramps with decoupled right/left opening (possibility of mounting with simultaneous opening)
- ✓ Plastic trigger anti-drip nozzle holder as standard
- ✓ Hydraulic locking of the ramp frame

BGVL DOOR SPRAYER

The SOLANO PORTE BGVL sprayer is mounted with a robust chassis, and is available with several pump models and capacities from 800 to 2000L. The tank integrates two auxiliary tanks as standard (hand wash, circuit rinse) and is mounted with hydraulic agitation. It is offered with a large choice of regulators (electric dpm, dpae, ISOBUS), with the most sophisticated options such as GPS section cut-off, GPS nozzle-by-nozzle cut-off, automatic boom height management, etc.



- ✓ Structural steel frame + steel sheet
- ✓ Qualicoat polyester powder paint
- ✓ Polyethylene tank
- ✓ Hand wash tank
- ✓ Circuit rinse tank
- ✓ Suction filter with safety valve
- ✓ Hydraulic agitation
- ✓ Pressure filter on regulator
- ✓ Folding step
- ✓ Hydraulic ramps with decoupled right/left opening (possibility of mounting with simultaneous opening)
- ✓ Plastic trigger anti-drip nozzle holder as standard

BOISSELET RANGE

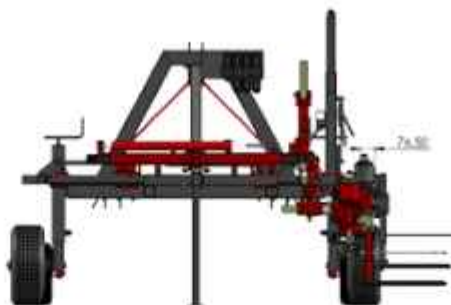
MADE IN FRANCE

DEPUIS 1836

BOISSELET

La tradition de demain

Concepteur, constructeur d'équipements viticoles, arboricoles, ...

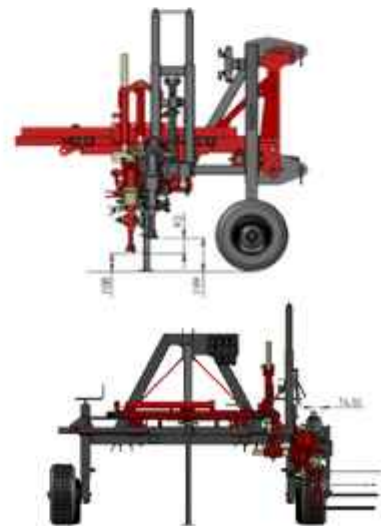


IRRIGATION LINE WEEDER

The Irrigation Line Weeder is specially designed to weed market garden beds while avoiding irrigation line posts and multi-chapel, as soon as the equipment antenna detects a post, the weeding tool immediately withdraws. There are 2 configuration possibilities for this equipment: with a 3-point hitch chassis or with a chassis positioned on the side of the tractor between the two wheels.



CHASSIS ON THE SIDE OF THE TRACTOR BETWEEN THE WHEELS



3-POINT HITCH CHASSIS



LAME 500



PETAL MATIC



BRUSH HUB



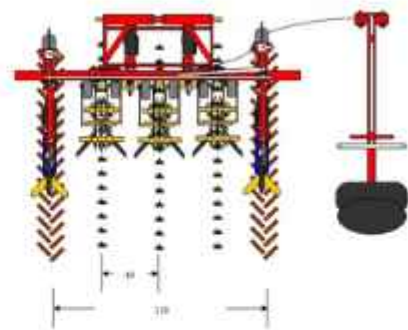
MINI ROTOFILL



TERRATECK RANGE

Terrateck

La Technique au service de la Terre





GLIDER 500

The Glider 500 Terrateck is a work aid that can carry people in an ergonomic position for manual weeding and planting operations.

Light, easy to handle, economical and silent equipment that can be used in greenhouses and open fields, ideal for monitoring crops.

Equipped with a standard battery pack providing 6 hours of autonomy (depending on weather conditions, number of people lying down, type of terrain).

They provide good support for the shoulders and bust and are 100% suitable for men and women thanks to an ergonomic double-seat system that does not exert pressure on the chest.

Easily transportable, this weeding bed can be loaded onto a small trailer to access your most remote plots.



Caractéristiques

Référence	T000399
Hauteur de travail	Réglable
Information	Châssis nu - Livré sans couchette
Batterie	Plomb à décharge lente
Utilisateurs	1 à 2 couchettes
Largeur hors tout	Largeur de voie +60cm
Puissance moteurs	500W
Durée de charge	2 à 4 heures
Niveau sonore	0db
largeur de voie	Réglable
Vitesse	0 km/h à 2 km/h
Mode d'avance continue	Oui
Rayon de braquage	360°
Roues débrayables	Oui
Roues arrières	Folles 360°
Chargeur automatique de batterie	Inclus
Avancement	Réglable par potentiomètre gradué
Direction	Joystick proportionnel
Poids total	290kg (Machine complète 2 postes)
Voie minimum	1m (une couchette)
Voie maximum	2m



EZY-PLANTS PLANTER

The EZY-Plant Clod Planter is THE compact solution, combining high throughput, great maneuverability, remarkable ease of use, and above all incomparable work ergonomics compared to manual planting, all without generating the slightest noise. Mainly designed for small and medium-sized market gardens, this planter is sure to revolutionize your daily life as a market gardener!



The main strengths of the EZY-Plant plug planter include:

- ✓ Its fully electric control
- ✓ Its variable number of rows and inter-rows,
- ✓ Its planting rate settings
- ✓ Its substantial autonomy
- ✓ Its supply operator platform



BINEUSE DUO / ARGUS

The KRESS / KULT brand of vegetable weeders allow you to efficiently and quickly carry out precision mechanical weeding operations in vegetable production. These "light" but nevertheless very robust weeders are perfectly adapted in terms of efficiency, productivity and precision for mechanical weeding operations.

DUO PRECISION MARKET GARDEN HOE



Mounted on a duo parallelogram equipped with:

- ✓ two gauge wheels
- ✓ two opening discs
- ✓ two Lelièvres blades

⚡ Power required (hp) 40 to 70

▬ Number of ranks 1 to 18

☼ Hoeing fingers Optional

ARGUS REAR/FRONT VEGETABLE HOE



- ✓ Kress / Kult hoeing fingers for working on the row
- ✓ Standard hoeing blade / Flat hoeing blade / Lelièvre blade / Pendulum knife Ridger

- ✓ Element for lining the rows
- ✓ Multiple weeders and crust removers
- ✓ Torsion springs (torsion weeder)

⚡ Power required (hp) 40 to 70

▬ Number of ranks 1 to 8

☼ Hoeing fingers Optional





CULTITRACK TOOL HOLDER

The CULTITRACK tool carrier is developed with a basic chassis on which we can graft options defined in advance and according to the specific requests of the producers. A wide range is offered depending on the textures of soils, reliefs, surfaces, crops or even row configuration. The machines are equipped and optioned to adapt to your technical itineraries and your specific needs.



Save time

Optimize your hoeing operations and your working time.



Work independently

Only one operator is required to use the machine.







A versatile machine

Work on a variety of crops and terrains.



An optimized advancement system

-  **A lightweight tool:**
Avoid soil compaction and intervene in a very short weather window
-  **Easy to use:**
Using the tool does not require any special skills.
-  **Optimal visibility:**
The operator's field of vision is focused on the equipment.
-  **Accessible mechanics:**
The machine is easy to maintain.





ARGILES RANGE

 **argiles**



AFH HARVEST SUPPORT PLATFORM

The ARGILES AFH Platforms are harvesting assistance platforms with conveyor belts to relieve operators during harvesting. Conveyors are installed so that the products are directly transported to the platform and thus packaged in pallet boxes or crates, passing, for example, through a sorting table.



**Gain in
productivity &
working time**



- ✓ Kubota engines from 68 to 82 HP
- ✓ 4x4 traction and 4-wheel steering
- ✓ Self-centering of the rear wheels and self-steering of the front wheels
- ✓ Cleaning tunnel with water recovery system
- ✓ Different discharge systems
- ✓ Different machine configuration options to adapt to all needs

AFH-COMPACT HARVEST ASSISTANCE PLATFORM

The ARGILES AFH-COMPACT Platforms are self-propelled machines for harvesting vegetables, the size of which is ideal for greenhouses and outdoors.



i

- ✓ Kubota engines from 50 to 68 HP
- ✓ 4×4 traction and 4-wheel steering
- ✓ Self-centering rear wheels
- ✓ Cleaning tunnel with water recovery system
- ✓ Total width of the 2 arms of the collection system of 10 meters
- ✓ Different machine configuration options to adapt it to all needs



DELECROIX RANGE

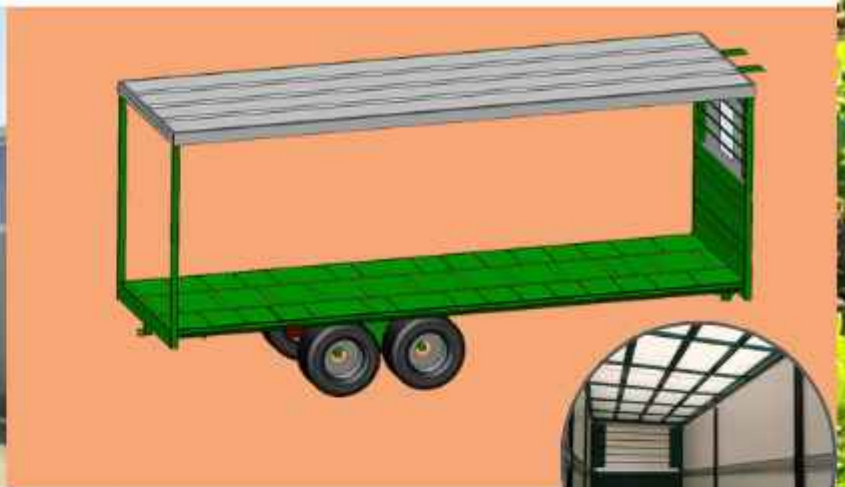


DELECROIX

HARVESTING MADE SIMPLE

VEGETABLE TRAILER

DELECROIX vegetable trailers are tarpaulin-covered and pre-equipped, adapted to the needs of the harvester. The agricultural trailers are robust and functional, with a wide choice of options. They are specially designed to accommodate a harvesting belt



- ✓ Straddle axles, bogie, tandem or tridem
- ✓ Hydraulic directional boom (1 or 2 cylinders)
- ✓ Hydraulic suspension boom (front or rear)
- ✓ Hydraulic boom and stand
2 or 3 fixed straddle axles
- ✓ Side step bars
- ✓ 900 gr tarpaulin, with single tarpaulin roof
- ✓ Side tarpaulins in one piece
- ✓ Front and rear tarpaulin without translucent
- ✓ Smooth sheet metal base
- ✓ LED road lights and rotating beacon
Clearance lights (non-LED): EXPORT
Mandatory Standard 2020 France:
Retractable anti-underrun bar

VEGETABLE PLATFORM

The Delecroix vegetable mounted platform harvesting belt is designed for multi-vegetable harvesting. It allows for increased productivity while improving the working conditions of harvesters. This range of belts has been developed for harvesting on small plots or in greenhouses.



- ✓ Supported platform (3-point attachment / for supported mats)
- ✓ 4 removable feet
- ✓ Guardrail and ladder
- ✓ Dimensions 1.25m x 2.5m
- ✓ Overall width: 2.5m
- ✓ Conveyor frame carried without external sliding / direct deployment
- ✓ Finishes: lights, hydraulic socket between conveyor and tractor
- ✓ Rear hitch between platform and platform
- ✓ Forklift passage (to remove the platform)
- ✓ 1.25m x 2.5m hydraulic rear tailgate, foldable and deployable with access ladder
- ✓ Hydraulic side tailgate with associated guardrail with manual platform supplement

SEMI-MOUNTED HARVESTING BELT XXL

The Delecroix XXL semi-mounted hydraulic harvesting belt is designed for harvesting heavy fruits and vegetables. It can be used to harvest melons, watermelons, squash, butternut squash and other vegetables... This harvesting conveyor has a useful length ranging from 6 to 16 meters and folds behind the tractor. The belt is equipped with a modular mesh belt to guarantee the quality of the harvested product.



- i**
- ✓ Chassis on 1 axle
 - ✓ Dimensions of folded machine: width 3.00 m, height 4.00 m (3.50 m in transport position)
 - ✓ Monocoque aluminium boxes with 100 mm high edges
 - ✓ Lifting by swan neck on one side for transfer into the pallets of a follower platform
 - ✓ Lifting to 2.20 m for 1 level of pallets on the platform (modular)
 - ✓ Modular polypropylene belt
 - ✓ 400 mm wide; reinforced edge modules 75 mm high cleats, 500 mm pitch Drive by 7
 - ✓ high-strength double-toothed pinions
 - ✓ Hydraulic motorization with speed variator on hydroelectric distributor

HORTECH RANGE



AUTOMATIC TRE OR TRE MATIC PLANTER

TRE is the fast and precise automatic planter for planting 3x3 and/or 4x4 and/or 5x5 cubic clods. The plant feeding system with long belts, through a pneumatic device for clod separation, plants the plants directly into the ground, even if they have long and braided leaves. TRE is equipped with two independent frames connected by a parallelogram system: one inside where the planting elements are assembled and one outside supported by 4 wheels. The machine does not allow planting on mulch.

TRE is the trailed model, while TRE-MATIC is a self-propelled model with hydrostatic drive, equipped with automatic piloting.



	THREE 140	THREE 190
PLANT SIZE	3 x 3 cm / 4 x 4 cm / 5 x 5 cm	
NUMBER OF ROW	1 - 4	2 - 6
NUMBER OF PLANTS IN THE ROW/HOUR	5000	
WAY	1.45 m to 1.65 m	1.85 m to 2.1 m

PRACTICA MIDI MINI-CLOD PLANTER

The Practica Midi transplanter is extremely precise and works on all types of terrain. The parallelogram structure allows uniform transplanting even on uneven soils. Practica Midi is equipped with a lectern plant holder and compaction wheels. The transplanting element is round in shape with 8 buckets, with movement at intervals.



PLANT SIZE	3 x 3 cm maximum
NUMBER OF ROW	1 - 9
NUMBER OF PLANTS IN THE ROW/HOUR	3500 to 4500
WAY	1.40 m to 2.50 m

SELF-PROPELLED HARVESTER - SALAD

The *RAPID* self-propelled salad harvester allows you to harvest salad plants, such as lettuce and endive. The equipment is equipped with a series of double corrugated belts that allow the product to be transported to the upper cleaning belt. The harvester is equipped with a product cleaning kit, a roof, a trailer hook, hydraulically folding side belts for unloading the product.

On request, it is possible to have a system to unload the product directly into a trailer.



WAY	NUMBER OF ROWS	POWER	MINIMUM DISTANCE BETWEEN ROWS	NUMBER OF PEOPLE
1.2m/1.5m/1.7m	3-6	49 HP / 36KW	MINI 40 CM	3 TO 10



SELF-PROPELLED HARVESTER - MACHINE

SLIDE VALERIANA is the lamb's lettuce harvester equipped with a modern cutting system that allows working on all types of terrain, sandy or not. The connecting rod mechanism moves the blade alternately and ensures an optimal cut at the neck. The cutting height is controlled by electrohydraulic proportional sensors. The cut product passes on a vibrating belt, which allows cleaning the sand or soil. The speed of the belt is adjustable, it is possible to use the automatic piloting.

SLIDE VALERIANA ECO is an electric machine for harvesting lamb's lettuce. It is equipped with new batteries with a power of 450 A/h, 48 V, which have a duration of up to 16 hours, with an integrated battery charger.

SLIDE CRAB VALERIANA, compared to the basic version, is different in its latest generation hydraulic system and is equipped with 4 steering wheels that make maneuvers more convenient, even in small spaces.

SLIDE TRAX VALERIANA is mounted on a tracked train.



SLIDE VALERIANA



SLIDE CRAB VALERIANA



SLIDE VALERIANA ECO



SLIDE TRAX VALERIANA

	WAY	CUTTING WIDTH	CUTTING HEIGHT	POWER	SPEED	
SLIDE VALERIANA	1.35 m MINI	1.2 m to 1.8 m	24 cm MAX	35 HP / 26 KW	0 to 10 km/h	
SLIDE VALERIANA ECO				45 KW		
SLIDE CRAB VALERIANA				51 HP / 38 KW		0 to 7 km/h
SLIDE TRAX VALERIANA				66 HP / 49 KW		



MOUNTED HARVESTER - CHEW

The "SLIDE VALERIANA" mounted lamb's lettuce harvester is available in a standard or compact version. It can harvest lamb's lettuce with or without sanding. The chassis is made of painted steel and has a category 2 3-point hitch.

- Electrohydraulic probing system with right and left independence
- Visual inspection of the probes on the harvesting head
- Control of the probing and other accessories with the control box in the cabin
- Additional control box for the operator at the rear of the cabin
- Rotating brush for cleaning the lower belt · Hydraulic ground placement of the loaded pallet box



SIDE PALOX DOOR



SIDE BOX STACK HOLDER



Chassis

- ✓ Front wheels: Driven and steered
- ✓ Maximum load: 180kg
- ✓ Charging time: 4 hours
- ✓ Wheel center (cm): 80 to 180
- ✓ Wheelbase: 850mm
- ✓ Weight (kg): 110 (excluding options)
- ✓ Autonomy: 2 to 4h
- ✓ Engine power: 2x120W
- ✓ Turning radius: Short
- ✓ Rear wheels: 360° idlers
- ✓ Max speed: 9.4m/min

Picker

- ✓ Cutting blade width 1475 mm controlled by 2 hydraulic sensors controlled from the tractor cabin
- ✓ Sand removal fingers behind the cutting blade
- ✓ Blade tilt by electric cylinder controlled from the tractor cabin
- ✓ Elevating conveyor belt for products meeting food standards equipped with a scraper for permanent cleaning
- ✓ Stainless steel cutting chassis
- ✓ Belt speed adjustment

SELF-PROPELLED TRACKED LEAFY VEGETABLE HARVESTER

SLIDE TRAX is the self-propelled harvester mounted on tracks, ideal for harvesting all leafy vegetables. It has a load capacity of 5 tons. The machine is equipped with automatic piloting with adjustable speed depending on the product to be harvested, electrohydraulic sensors that guarantee a perfect cut at all speeds and at the desired height. The blade rotates on self-centering pulleys covered in rubber to improve the duration of use.



	WAY	CUTTING WIDTH	CUTTING HEIGHT	POWER	SPEED
SLIDE TRAX SMALL	1.45 m MINI	1.4 m to 1.8 m	40 CM	35 HP / 26 KW	0 to 7 km/h
SLIDE TRAX	1.35 m MINI	1.2 m to 1.8 m		66 HP / 49 KW	



SELF-PROPELLED HARVESTER - LEAFY VEGETABLES

SLIDE is the ideal self-propelled harvester for working in greenhouses and outdoors, even on very wet soils. Created for the fourth range, **SLIDE** can be equipped with a system that allows the product to be placed directly in the boxes in the field, to be able to unload it into a trailer using a side conveyor or to transport the product on the cleaning conveyor through guide belts. **SLIDE** is equipped with a steering wheel with hydro guide, an electric system for temporary stopping and restarting at the same speed.

The **SLIDE SMALL** harvester is ideal for small greenhouses because the cutting bar is mounted inside the frame.

SLIDE CRAB compared to the basic version, has a latest generation hydraulic system and is equipped with 4 steering wheels that make maneuvers more convenient, even in small spaces.

SLIDE ECO is the electric harvester. It is equipped with an electric motor with a power of 30 kW, powered by a battery that allows an autonomy of 16 hours of work.



SLIDE

SLIDE CRAB

SLIDE SMALL

SLIDE ECO

	WAY	CUTTING WIDTH	CUTTING HEIGHT	POWER	SPEED
SLIDE	1.35 m MINI	1.2 m to 1.8 m	40 cm	35 HP / 26 KW	0 to 10 km/h
SLIDE CRAB	1.35 m MINI	1.2 m to 1.8 m		51 HP / 38 KW	
SLIDE SMALL	1.15 m MINI	1 m to 1.8 m		21 HP / 15 KW	
SLIDE ECO	1.35 m MINI	1.2 m to 1.8 m		30 KW	



VENTUM SELF-PROPELLED HARVESTER

VENTUM is the innovative machine whose collection capacity is 50% higher than a traditional machine; the driver's seat is located above the cutting bar and is composed of a single operator.

The main innovation of this machine is due to the collection with the transport of the product through a vertical air tunnel capable of selecting the product and eliminating foreign bodies by specific weight. An additional important innovation is the automatic packaging and weighing of the boxes. This system allows to considerably reduce collection times compared to a traditional harvester.



WAY	CUTTING WIDTH	CUTTING HEIGHT	POWER	SPEED
1.35 M MINI	1.2 m to 2 m	40 CM	55 KW	0 to 17 km/h

SELF-PROPELLED LEAF VACUUM CLEANER

HOOVER MAXI is the ideal self-propelled vacuum cleaner for the fourth range. The equipment vacuums up crop residues as well as leaves. The vacuum cleaner is coupled with a cutting bar equipped with electrohydraulic sensors that determine the various regulations. The blade of the bar works through self-centering pulleys, covered in rubber to ensure a longer life of the blade. It consists of a vacuum cleaner, which generates a depression in the collection container with a maximum capacity of 1000 liters. The product can be unloaded directly into a trailer.

The evolution of the Hoover Maxi model is **HOOVER CRAB**. This one is equipped with a sliding cutting bar, a driver's seat positioned as far forward as possible to have full control of the cutting bar and 4-wheel drive.

HOOVER MAXI



	WAY	CUTTING WIDTH	CUTTING HEIGHT	POWER	SPEED
HOOVER MAXI	1.35 m MINI	1.2 m to 1.8 m	23 cm	35 HP / 26 KW	0 to 10 km/h
HOOVER CRAB	1.35 m MINI	1.2 m to 1.8 m		75 HP / 55 KW	





GRIMME

GRIMME RANGE

GRIMME



GF 200 RIDGER-CUTTER

The GF 200 is suitable as a front or rear-mounted full-field tiller for optimum seedbed preparation in vegetable and potato cultivation. The seedbed is the basis for optimum seed and plant development. Intensive soil cultivation optimally prepares the roots that grow to the horizon to ensure even crop growth. The machine can be converted from a bed former to a full-field tiller in no time at all. When mounted at the front, the GF 200 can be perfectly combined with a planter at the rear of the tractor. The drive is designed for tractors up to 165 HP.



FORMING THE BOARDS

SOIL WORK TO A DEPTH OF 20CM

BREAKING UP THE CLODS



HOE FOR WEEDING ON MOUNDS

The Hoe for weeding on mounds allows the mechanical and ecological weeding of a complete tower of mounds. It also has the function of scraping the sides of mounds using knives (or an adjustable tine harrow) and of raising the soil on these same sides by means of an open cape with independent formers. This equipment works perfectly for raised and non-raised crops (asparagus, carrots and potatoes)



VERSIONS	MILL SIDES	TOP OF BUTTE	BUTTE FUNDS	REFORM THE MILL
2, 4, 6, AND 8 ROWS	HARROW OR KNIVES	HARROW WEEDER	VIBRATING PLOUGHSHARES OR DISCS Ø560MM	OPEN CAPE FOR INDEPENDENT TRAINERS



POTATO PLANTER - GL32 B

The Potato Planter - GL32 B was designed with the aim of finding a simple, precise and economical planting solution. The precise application of fertilizer into the soil by the front distributor ensures optimal crop development.



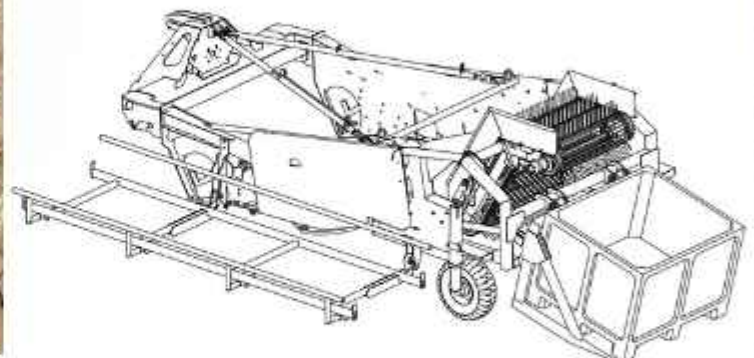
LENGTH	WIDTH IN SPACING AT 75CM	HOPPER FILLING HEIGHT	NUMBER OF ROW	HOPPER
2, 4, 6, AND 8 ROWS	HARROW OR KNIVES	1900 mm	2	1100 kg



Profondeur de plantation constante grâce au contrôle automatique en option

WH200 ALIGNER LIFTER

The Aligner Lifter allows the mechanization of the harvest of potatoes, sweet potatoes (other hoed products) easily, this equipment is perfect for starting the mechanized harvest. The lifting system is done in 2 phases, the equipment has 2 short sieving chains with an additional drop height for better sieving. The construction is robust with a gentle separation and wide deposit of tubers. The carried mode improves all maneuvers at the edge of fields.



- ✓ Several models depending on needs
- ✓ Optional rotary shaker for additional sieving of the soil

SE 140 COMPACT POTATO HARVESTER

The SE 140 is a compact, manoeuvrable and efficient harvester. The compact design allows, for example, manoeuvring within a small radius of action. The ergonomic, even more spacious inspection table offers two standing heights and sufficient space for 6 people. A 12% larger sieving surface on the 1st sieving chain and 8% larger on the 2nd sieving chain ensures the increase in output compared to the previous model. 13% more sieving power is also available with the optionally widenable collection channel from 75 to 85 cm. Success is harvested – across the entire width!



LENGTH	WIDTH	HEIGHT	COUPLING	HOPPER	EMPTY WEIGHT
8300 mm	3000 mm	3160 mm	DRAWBAR UNDER PTO CONNECTION	5000 kg	5000 kg





ASA-LIFT

ASA-LIFT RANGE

ASA-LIFT



MULTI-VEGETABLE HARVESTER

The design of the ASA-LIFT PO series sets new standards for leek harvesting. The open frame design minimises the accumulation of soil and leaves, thus reducing downtime and minimising maintenance work. A double agitation system guarantees optimum cleaning even in difficult conditions. The flexible intake belts with a large D-profile and combined with the unique ASA-LIFT boomerang spring, ensure safe harvesting even in difficult conditions. The hydraulic drive belts transfer the leek already in perfect position to the next conveyor. The basic models are intended for manual or hydraulic filling of boxes or with a trolley lift. Various options are available to adapt the machine to different conditions.



PO-335 mounted single row harvester

3 different types available:

Leeks

Carrots bunches

Bunch of onions

CARROT HARVESTER



A very complete Carrot Range: 14 models available from ASALIFT.



OTHER ASALIFT PRODUCTS



PARSNIP



GREEN BEANS



FENNELS



RED BEET



SPRING ONIONS



ONIONS



CHOUX



CELERY



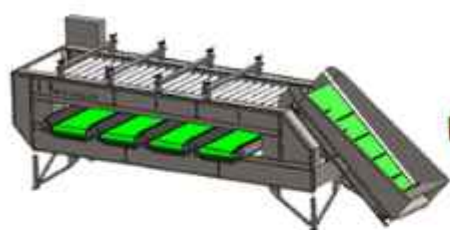
ROOT HARVEST



MICHALAK RANGE



MICHALAK[®]
MACHINES AGRICOLES



VEGETABLE WASHING LINE

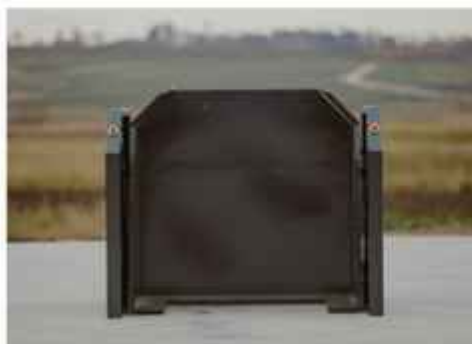
MACHINE TYPE	FUNCTION
RECEIVING HOPPER (PALOX)	THE MACHINE IS USED TO RECEIVE THE PRODUCTS FROM THE POURED PALLETS.
RECEIVING HOPPER (TRAILER)	THE MACHINE IS INTENDED FOR RECEIVING PRODUCTS FROM THE TRAILER.
WATER BATH HOPPER	THE MACHINE IS DESIGNED FOR UNLOADING VEGETABLES INTO WATER.
HYDRAULIC PALLET EMPTIER	THE MACHINE IS DESIGNED TO EMPTY PALLETS. SEVERAL MODELS ARE AVAILABLE DEPENDING ON THE LOAD TO BE EMPTIED.
BOX FILLER	THE MACHINE IS USED TO FILL THE PALLETS. AN AUTOMATIC VERSION IS ALSO AVAILABLE IN THE RANGE.
VEGETABLE WASHER	THE MACHINE'S FUNCTION IS TO WASH VEGETABLES IN A ROUND DRUM OF PERFORATED METAL.
VEGETABLE BRUSH / FLAT	THE MACHINE IS USED FOR POLISHING AND BRUSHING VEGETABLES.
ROLLER SORTING TABLE	THE SORTING TABLE IS USED FOR MANUAL SORTING OF VEGETABLES.
TURNABLE	THE MACHINE IS INTENDED FOR RECEIVING VEGETABLES
SPRAY WASHER	THE WASHER IS USED TO WASH BUNDLED VEGETABLES OR FRAGILE PRODUCTS.
CARPET CALIBRATOR	THE BELT CALIBRATOR IS INTENDED FOR CALIBRATING POTATOES OR OTHER FRAGILE SPHERICAL PRODUCTS.
ROLLER CALIBRATOR / ROLLER DIGGER	TO SORT VEGETABLES ACCORDING TO THEIR DIAMETER.
LENGTH CALIBRATOR	THE LENGTH CALIBRATOR IS INTENDED FOR VEGETABLES WITH A LONGITUDINAL SHAPE (E.G. CARROTS) TO ELIMINATE VEGETABLES THAT ARE TOO SMALL OR TOO DAMAGED.
PESUSES	THE MACHINE IS USED FOR AUTOMATIC WEIGHING OF A DOSE OF VEGETABLES WHOSE WEIGHT IS PROGRAMMED IN ADVANCE.
ASSOCIATIVE WEIGHER	IT IS USED TO AUTOMATICALLY WEIGH DESIRED PORTIONS OF ALL TYPES OF VEGETABLES.
BANC COUSEUR	THE MACHINE IS USED TO FILL MESH BAGS WITH THE PREVIOUSLY PROGRAMMED QUANTITY OF VEGETABLES.
CONVEYOR BELT	PRODUCTION OF PVC OR RUBBER BELT CONVEYOR.
STORAGE HOPPER	THE TANK/BUFFER HAS AN IMPORTANT ROLE, IT IS VERY OFTEN USED IN FRONT OF THE WEIGHERS AND SERVES AS A BUFFER.
BIG BAG FILLER	FOR LOADING BIG BAGS USING A FORKLIFT.
ONION PEELER	THIS MACHINE ALLOWS YOU TO REMOVE THE ONIONS' STEMS THANKS TO THE ROLLERS WHICH TURN AND TEAR OFF THEIR STEMS.
ROLLER DRYER	THE ROLLER DRYER DRIES WET POTATOES ON ITS ROLLERS COVERED WITH SYNTHETIC FELT.

HYDRAULIC PALOX VACUUM

The hydraulic Pallet Emptyer is designed to empty the pallets. A high-end hydraulic cylinder makes it possible to control remotely (with a cable), tilt and return the pallet. The Pallet Emptyer is equipped with protective covers to ensure the safety of the operators. The machine is suitable for working with the SH type hopper and thanks to its construction the Pallet Emptyer can be positioned in 3 directions relative to the receiving hopper: in front, on the right and on the left.



	WHM-700	WHM-1500	WHM-1800
YIELD	45 CYCLES/H	25 CYCLES/H	25 CYCLES/H
ABILITY	700KG	1500KG	1800KG
LONG./LARG./HT.	190X160X120	240X240X180	240X260X180
WEIGHT	400KG	1100KG	1300KG
INSTALLED POWER	2.2KW / 5.5 A	3KW / 7.5 A	3KW / 7.5 A



WATER BATH HOPPER - KWM 50 / KWM 100

The Water Bath Receiving Hopper is designed for unloading vegetables into water. Pouring the pallets into the water ensures smooth reception and eliminates the risk of the products hitting the metal parts of the hopper. The vegetables are transported using rubber-coated bar elevator belts, which further protect them from possible damage.



KMW 50

- ✓ Hopper capacity: 1.5m³
- ✓ Belt width: 50cm
- ✓ Lg./Width/Height: 305x215x190 cm
- ✓ Weight: 600kg
- ✓ Power: 1.5kW / 4A
- ✓ Galvanized finish
- ✓ Fixed belt speed

Various options available: filling solenoid valve, belt speed adjustment, turbine, drain valve, photocell, stainless steel hopper, etc.



KWM 100

- ✓ Hopper capacity: 3.4m³
- ✓ Belt width: 100cm
- ✓ Lg./Width/Height: 350x243x240 cm
- ✓ Weight: 2000kg
- ✓ Power: 4kW / 4A
- ✓ Galvanized finish
- ✓ Automatic waste water evacuation
- ✓ Bubbling turbine
- ✓ Solenoid valve for filling and emptying
- ✓ Belt speed adjustment



VEGETABLE WASHER

The Vegetable Washer type: P-500 is designed for washing vegetables in a round drum of perforated sheets. The washing process can be carried out in 2 ways: in a water bath (the drum is immersed in water) and/or by continuous spraying with clean water. The machine adapts to the requirements of the washing lines thanks to the lifting belt located at the outlet and equipped with rinsing ramps.



YIELD	UP TO 5-7T/H
CONSUMPTION	10 M3
LONG./LARG./HT.	540 X 145 X 245
WEIGHT	1100KG
INSTALLED POWER	3KW/7.5A



- ✓ Drum speed adjustment by a variator
- ✓ Belt speed adjustment at the outlet by a variator
- ✓ Two/three manually opened drain valves
- ✓ Rinsing ramp on the lifting belt
- ✓ Tap water spraying over the entire length of the drum



SPRAY WASHER

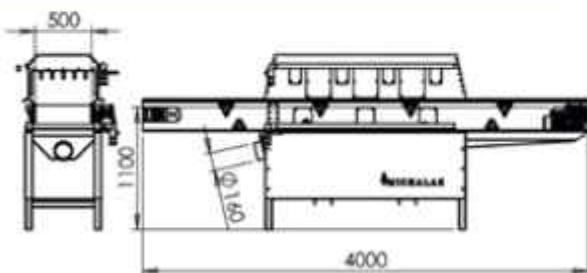
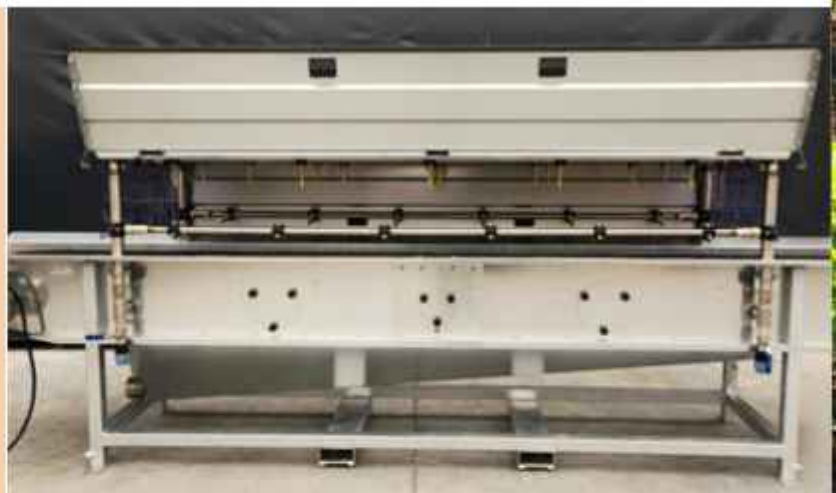
The Spray Washer is used to wash vegetables in bundles or fragile products with its mesh belt. The washer can also be used for washing crates with a bar belt. The vegetables or crates pass through a tunnel where there is a spray system in the belt and in the tunnel. The spray system is equipped with jets at variable angles in order to clean the product well.



CARPET SPEED	2 TO 12 METERS/MIN
INSTALLED POWER	1.5 KW
LONG./LARG./HT.	400 X 50 X 160 CM OR 650 X 65 X 160 CM
WEIGHT	400 KG
FOOD	3 X 400 V+N+PE



- ✓ Remote Control Carpet
- ✓ Speed Control Variable
- ✓ Angle Brass Jets
- ✓ Galvanized Chassis



BRUSHER / POLISHER

The Vegetable Brusher / Polisher is used for polishing, cleaning and brushing root vegetables that have been washed beforehand or after pre-soaking in a water bath hopper. The process takes place at the bottom with the brushes placed in a "U" shape. The equipment with the water version is equipped with 2 pure water spray bars. The hardness of the brushes is selectable depending on the product you want to wash, it can be equipped with 7 or 9 brushes with 2 brush lengths available. A larger version of this equipment is available.



S9290 BRUSHER

- ✓ Output up to 3 tons/hour
- ✓ Length/width/height: 350/125/150 cm
- ✓ Weight: 1150 kg Power: 5.5 KW / 16A

OPTIONS

- ✓ Water recycling with pump and filter
- ✓ Soil collection tank
- ✓ Waterless (dry) version
- ✓ Various other options



- ✓ Galvanized finish
- ✓ Remote control with cable (4m)
- ✓ Speed adjustment for brushes
- ✓ Manual exit hatch
- ✓ Choice of bristle hardness

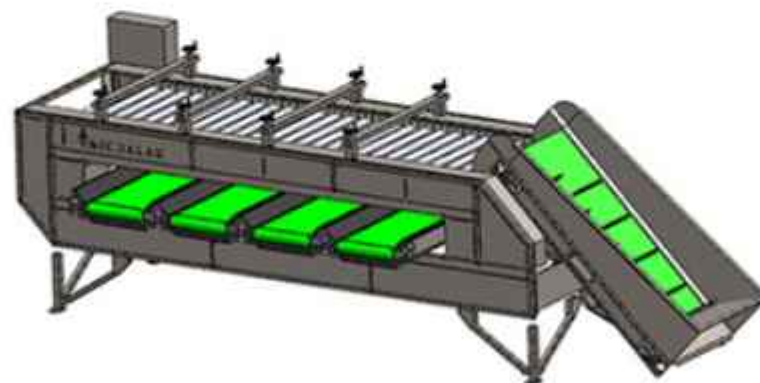


ROLLER CALIBRATOR

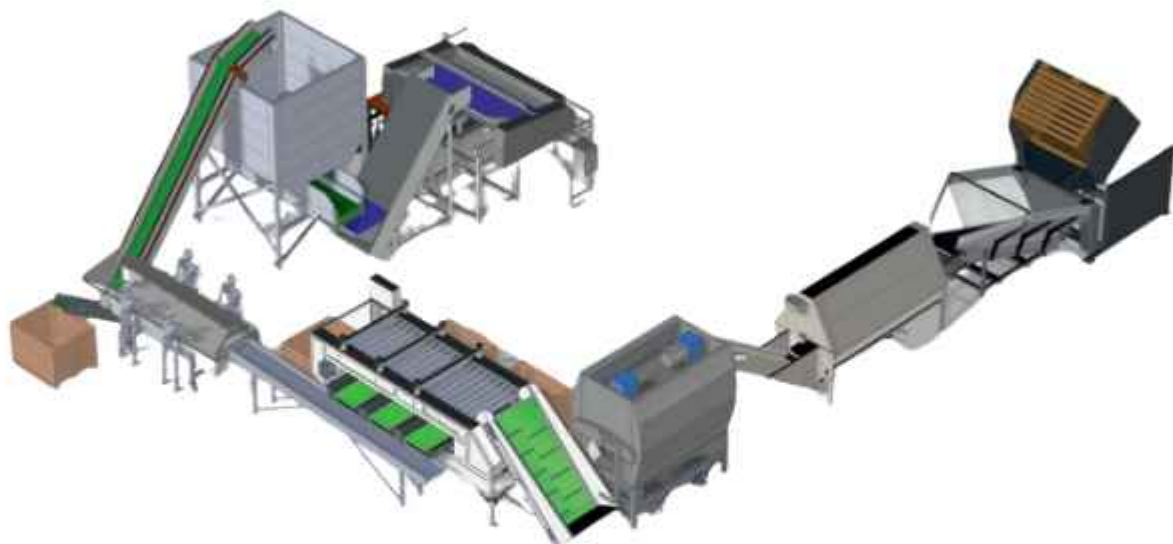
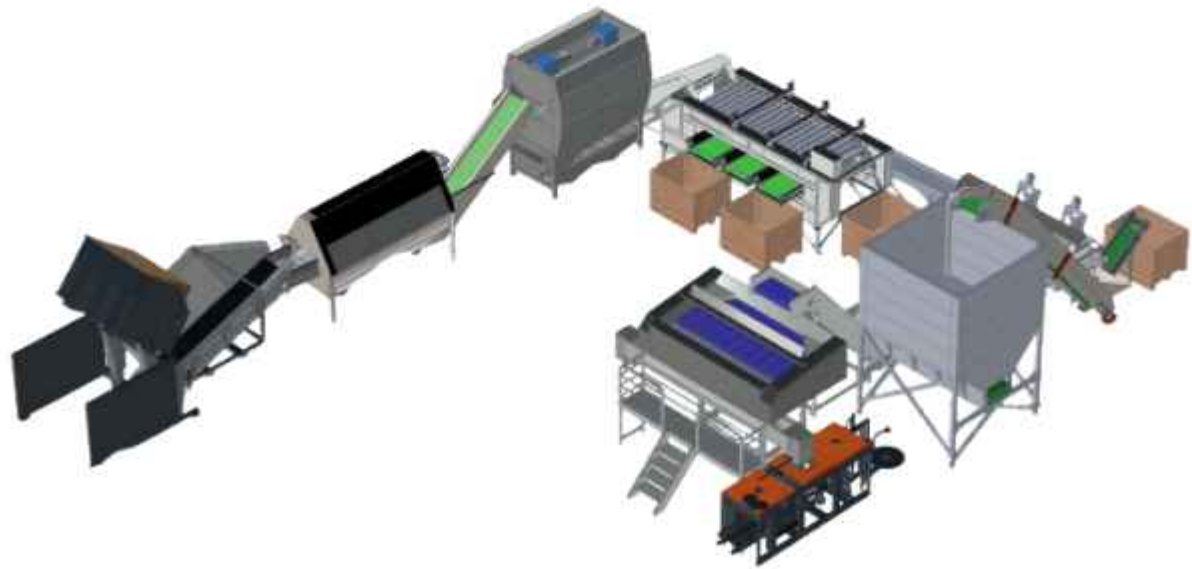
The Roller Grader is designed to sort all types of vegetables according to their diameter. The machine is mainly used to sort long-rooted vegetables such as carrots. The grading process takes place on rollers that rotate and move simultaneously. The rollers change their positions as they move, which ensures very precise sorting with several adjustable sizes. The grader is designed to work with a previously washed product.



	SR 1585 2T	SR 1585 3T	SR 1585 4T	SR 20120 3T	SR 20120 4T
PERFORMANCE UP TO	4 T/H	6 T/H	8 T/H	6 T/H	8 T/H
LONG./LARG./HT.	515 X 245 X 180	615 X 245 X 180	700 X 245 X 180	615 X 245 X 180	700 X 245 X 180
WEIGHT	1600 KG	2100 KG	2500 KG	2100KG	2500 KG
INSTALLED POWER	3 KW / 6A	4 KW / 9A	4 KW / 9A	4 KW / 9A	4 KW / 9A



EXAMPLE OF MACHINE LINES





JARNY MVS RANGE

MADE IN FRANCE

 jarny mvs
le groupe

TREKTOR

FENDT





FENDT TRACTOR

Fendt tractors are equipped with functions and software that simplify and digitalize work. The Fendt range is a specialist in demanding tasks for all crops.

FENDT 200 VARIO



Moteur		207 Vario	208 Vario	209 Vario	210 Vario	211 Vario
Puissance maximale ECE R 120	kW/ch	58/79	62/84	69/94	77/104	84/114
Puissance maximale avec DP ECE R 120						91/124



- ✓ 100° panoramic view
- ✓ 40 km/h at only 1550 rpm with the new transmission
- ✓ New bi-halogen headlights and daytime running lights
- ✓ Easy to fill fuel tank (125 l)



FENDT 300 VARIO

Moteur		311 Vario	312 Vario	313 Vario	314 Vario
Puissance maximale ECE R 120	kW/ch	83/113	90/123	98/133	104/142
Puissance maximale avec DP ECE R 120					112/152



- ✓ New gear: 40 km/h at just 1550 rpm – quiet operation, reduced fuel consumption
- ✓ Stage V compliant anti-emission technology with DPF, SCR and DOC
- ✓ In-line control module (pair of fingertips) with colour coding
- ✓ Adjustable multi-function armrest with controls on the driver's seat





TREKTOR - AUTONOMOUS TRACTOR

Designed to solve producers' daily problems, TREKTOR is a true agricultural transition machine.

With a design oriented to obtain the best possible energy efficiency, it allows a high work flow rate by combining the efficiency of electric with the autonomy of diesel.



The tools are adjusted on the three-point or on the pole, then TREKTOR does the rest, without changing working habits.

A true everyday assistant, thanks to easy programming, TREKTOR carries out work on demand, all year round.

ASSISTANT FOR PRODUCERS, FARMERS AND WINEGROWERS



- ✓ It has a battery recharged by the on-board thermal engine during work or rechargeable on the mains. As a result, its autonomy can reach 24 hours.
- ✓ Thanks to its variable dimensions, it adapts to the situation of the plots (spacing of vines, width of board).
- ✓ He works with existing tools (hydraulic, mechanical, electrical).

A TREKTOR FOR EVERY CULTURE



MINI

DE 1.08 M

A 1.61 M



MIDI

DE 1.41 M

A 1.94 M



MAXI

DE 1.91 M

A 2.44 M



LANDINI RANGE

Landini

LANDINI TRACTORS

Landini innovation enters a new era. Efficiency increases, fuel consumption and emissions decrease. Designed for the future, these tractors offer superior safety and comfort standards as well as a complete set of advanced digital solutions that reduce the impact on the environment while delivering maximum efficiency.

Wide range of tractors for vineyards, arboriculture, market gardening and large-scale cultivation in arch or cabin with the possibility of suspended front axle, suspended cabin, hydraulic circuit in L.S, standard gearbox, powershift or robotic.

REX4 F-S-V-GT



Featured, Orchard and Vineyard

Specializing in vineyards and orchards

REX4 F-GE-GB-GT



Orchard and Vineyard

Spacious and comfortable platform

MISTRAL 2



Orchard and Vineyard

Specialist in solidity

SERIES 4



Mixed farming / large-scale crops

Makes farm work more productive and less tiring

5-085



Mixed farming / large-scale crops

Compact and versatile

SERIES 5



Featured Polyculture / large crops

Capable of surprising

SERIE 5 HC



Mixed farming / large-scale crops

Concrete, essential, tireless

6H SERIES



Mixed farming / large-scale crops

Compact and versatile 130 horsepower

SERIE 6RS



Mixed farming / large crops

Versatility, comfort and performance

	ENGINE	POWER	TRANSMISSION
REX4 F-S-V-GT	2.9 / 4	75 90 95 102 112	Speed Four mechanical inverter, RoboShift electrohydraulic inverter
REX4 F-GE-GB-GT	2.9 / 4	75 90 95 102 112	Speed Four
MISTRAL 2	1.9 / 3	49 57	Speed Four
SERIES 4	2.4 / 4	61 68 75	Speed Four + mechanical Hi-Lo + Power Four + hydraulic inverter
5-085	3.4 / 4	75	Power Four & T-Tronic
SERIES 5	3.6 / 4	95 102 114	Speed Four + T-Tronic
SERIES 5 HC	3.6 / 4	95 102	12 FWD + 12 AR mechanics with mechanical reverser
6H SERIES	3.6 / 4	119 127	36+12 with HML (3 speeds under load) and Hydraulic Inverter
6RS SERIES	4.5 / 4	135 146 155	Robo-Six



NIUBO RANGE



WIDE RANGE OF CRUSHERS

Wide range of Crushers, each with its own specialty but remaining versatile and efficient in terms of crushing work.

SPEED model



- ✓ CAT I-II three-point hitch on solid zinc-plated bars.
- ✓ Lateral movement with crank.
- ✓ Mechanical rear door for inspection.
- ✓ Gearbox with freewheel.
- ✓ 170 mm diameter rear roller with scraper.
- ✓ 1 row of Niubo special triple-ridged, bolted, U-shaped counter-knives.
- ✓ Reinforced steel protection plates.
- ✓ Track pins and power take-off shaft.
- ✓ Accident prevention precautions according to EC regulations.
- ✓ Note: All models come standard with hammers unless otherwise specified (blades) when ordering.

RANGE OF CULTIVATORS

The range of stubble cultivators includes double-beam equipment with a very solid chassis. Used before and after harvesting, they allow a homogeneous mixture of stubble residues.

CALIFORNIA model



- ✓ Modular system for adjusting the number of discs and their working width
- ✓ 80 x 80 x 8 mm frame
- ✓ 20" (510 mm) individual discs
- ✓ X-shaped disc assembly
- ✓ Deburring for independent
- ✓ 3D shock absorption crossbow
- ✓ High quality, monopole and maintenance-free supports
- ✓ Central arm to cover the entire area
- ✓ Rear cage roller Ø 400 mm CAT II coupling
- ✓ Pre-adjustment for scrapers on discs
- ✓ Protections to avoid accidents according to EC directives



PRONAR RANGE



PORTER ENGINE RC 2100/2

The PRONAR RC2100/2 low loader trailer is an ideal solution for those who value functionality and reliability. The low loader trailer has a permissible total weight of 19 tonnes and is equipped with tandem suspension. This trailer is equipped with a single-line hydraulic braking system



i

- ✓ Loading platform with wooden floor in its flat main part
- ✓ Loading platform with steel floor with non-slip surface in the inclined rear part
- ✓ Mechanical ramp lowering/raising system with protection against accidental opening
- ✓ Mechanical support feet, fixed on the ramps
- ✓ High-strength rectangular chassis
- ✓ Tandem suspension with 4 parabolic springs, with compensating triangles, with rigid axles equipped with drum brakes
- ✓ Rigid drawbar for the lower hitch of the tractor, damped by steel springs
- ✓ Mechanical drawbar support, straight, folding
- ✓ Drawbar hitch: rotating $\varnothing 50$
- ✓ Single-circuit hydraulic braking system
- ✓ Parking brake with crank 12 V lights, sealed connections, with LED side and front marker lights

MONOCOQUE T700

The PRONAR T700 Monocoque is designed to operate in difficult conditions. The special feature of this trailer is its pivoting axle, which greatly facilitates maneuvering. The trailer is equipped with a spring-loaded drawbar that increases the comfort of users who work with high loads. The hydraulically lifting tailgate with automatic locking when closing also improves the quality of use.



- ✓ Monocoque loading box with profiled walls with vertical ribs reinforcing the side walls
- ✓ Hydraulic winch tailgate with automatic pressing system
- ✓ High-strength steel chassis frame with rectangular closed profiles
- ✓ Tandem suspension with 4 parabolic springs with 1500 mm wheelbase with fixed axles equipped with 406×140 drum brakes
- ✓ Axles for 60 km/h
- ✓ Drawbar type: universal rigid damped by steel springs with height adjustment to couple to the lower or upper hitch of the tractor
- ✓ Drawbar hitch: rotating with towing eye Ø50
- ✓ Drawbar support: telescopic with 2-section gear
- ✓ Braking system: double or single circuit pneumatic or hydraulic
- ✓ Handbrake with crank
- ✓ Rear underrun protection approved according to the WE type directive, foldable 12 V lighting system with rear electrical socket, bulb lamps, with side marker lights
- ✓ Tipping system: hydraulic with automatic shut-off valve and thick steel safety cables
- ✓ Hydraulic cable support with support for tractor connectors
- ✓ Folding ladder and steps for easy access to the loading box
- ✓ Many optional equipment according to requirements



AMDS

SAS ISALT

1, Z.A. de la Cailletelle
44270 MACHECOUL - France

AMDS

215, Levée de la Divatte
LA CHAPELLE BASSE MER
44450 DIVATTE SUR LOIRE

ACCUEIL

+33(0)2 51 70 87 48
accueil@isaltgroup.fr

+33(0)2 28 02 14 30
amds44compta@orange.fr

SERVICE COMMERCIAL

+33(0)6 75 12 47 04
cyril.thabard@cdoinnov.fr

+33(0)7 82 27 34 04
alain@amds44.fr